

CALIFORNIA REGIONAL WATER QUALITY CONTROL BOARD
LAHONTAN REGION

CEASE AND DESIST ORDER NO. R6T-2011-0069

**REQUIRING JOHNSON, MARK, 077-351-27-11 TO CEASE AND DESIST
FROM DISCHARGING OR THREATENING TO DISCHARGE WASTE IN
VIOLATION OF A DISCHARGE PROHIBITION SPECIFIED BY THE *WATER
QUALITY CONTROL PLAN FOR THE LAHONTAN REGION*;
SPALDING TRACT SUBDIVISION,
EAGLE LAKE BASIN**

_____ Lassen County _____

The California Regional Water Quality Control Board, Lahontan Region (Water Board) finds:

1. JOHNSON, MARK, (hereafter "Discharger") own(s) Assessor Parcel No. 077-351-27-11 in the Spalding Tract subdivision located on the west shore of Eagle Lake, approximately 20 miles northwest of Susanville, California. See Attachment A – Vicinity Map, which is made a part of this Order.
2. The Discharger owns and/or operate(s) an on-site wastewater disposal system located at the above-referenced parcel. The existence of an on-site wastewater disposal system that has not been properly abandoned at this location permits waste containing nutrients to be discharged, and/or threatens a discharge of waste containing nutrients, to waters within the Eagle Lake Basin.
3. In September 1984, the Water Board amended the *Water Quality Control Plan for the Lahontan Region* (Basin Plan) to incorporate the following waste discharge prohibition.

"The discharge of waste from the Spaulding [sic] or Stones-Bengard subdivisions with other than a zero discharge of nutrients to any surface waters or ground waters in the Eagle Lake basin is prohibited after September 14, 1989." (Basin Plan, Chapter 4, *Implementation*, Unit/Area-Specific Prohibitions for the Eagle Drainage Hydrologic Area at p. 4.1-4.)

This prohibition essentially prohibits the discharge of sewage to individual on-site waste disposal systems in the Spalding Tract after September 14, 1989.

4. In 1991, the Water Board issued Cease and Desist Orders to the Spalding Tract property owners requiring that they cease and desist from discharging wastes in violation of the Basin Plan prohibition.
5. The Water Board did not pursue enforcement of the Cease and Desist Orders issued in 1991 because there was no readily available means by which the Spalding Tract property owners could comply with the Basin Plan prohibition.
6. On October 22, 2007, the Spalding Community Services District (District) community wastewater system (system) became operational. As a result, there is now an available method for the Spalding Tract property owners to comply with the Basin Plan prohibition.
7. On October 14, 2009, the Water Board adopted 74 Cease and Desist Orders for property owners who continued to discharge or threaten to discharge waste in violation of the Basin Plan prohibition. Cease and Desist Orders were only adopted for property owners where the Water Board provided evidence that: (1) an on-site wastewater disposal system was present on the owner's property, and (2) the on-site wastewater disposal system had not been connected to the District's system or properly abandoned. These Cease and Desist Orders require property owners to either connect their on-site wastewater disposal systems to the District's system or properly abandon them by December 31, 2009. Dischargers are also required to provide the Water Board with written documentation verifying compliance with the Basin Plan prohibition by January 15, 2010.
8. There are additional property owners that have yet to comply with the Basin Plan prohibition and did not receive a Cease and Desist Order in 2009. The Discharger identified in Finding No. 1, above, is such a property owner.
9. Lassen County records (Attachment B of this Order) provide evidence that the Discharger has an on-site wastewater disposal system located on the parcel referenced in Finding No. 1, above. Additionally, District records (Attachment C of this Order) indicate that the Discharger has not connected its on-site wastewater disposal system to the District system. The Water Board has also not received any written documentation from Lassen County verifying that the Discharger has properly abandoned its on-site wastewater disposal system. Therefore, the Water Board finds that, at a minimum, the Discharger is threatening to discharge waste containing nutrients in violation of the Basin Plan prohibition described in Finding No. 3, above.

10. Water Code section 13301 states, in part:

“When a Regional Board finds that a discharge of waste is taking place, or threatening to take place, in violation of requirements or discharge prohibitions prescribed by the regional board or the state board, the [regional] board may issue an order to cease and desist and direct that those persons not complying with the requirements or discharge prohibitions (a) comply forthwith, (b) comply in accordance with a time schedule set by the [regional] board, or (c) in the event of a threatened violation, take appropriate remedial or preventive action.”

11. As noted in Finding No. 9, above, the Discharger, at a minimum, is threatening to discharge waste in violation of the Basin Plan prohibition described in Finding No. 3, above. Therefore, the Water Board is authorized to issue a Cease and Desist Order for the threatened discharge pursuant to Water Code section 13301.

12. The Water Board is issuing new Cease and Desist Orders to all Spalding Tract property owners that (1) have an on-site wastewater disposal system, (2) have either failed to connect their on-site wastewater disposal system to the District’s system or properly abandoned it, and (3) were not issued a Cease and Desist Order in 2009. The Discharger is such a property owner as identified in Finding Nos. 8 and 9, above. The new Cease and Desist Orders reflect current property ownership, the availability of the District’s system as a means of compliance, and establish a new compliance schedule.

13. Water Code section 13267, subdivision (b) states:

“In conducting an investigation specified in subdivision (a), the regional board may require that any person who has discharged, discharges, or is suspected of having discharged or discharging, or who proposes to discharge waste within its region, or any citizen or domiciliary, or political agency or entity of this state who has discharged, discharges, or is suspected of having discharged or discharging, or who proposes to discharge, waste outside of its region that could affect the quality of the waters within its region shall furnish, under penalty of perjury, technical or monitoring program reports which the regional board requires. The burden, including costs, of these reports shall bear a reasonable relationship to the need for the report and the benefits to be obtained from the reports. In requiring these reports, the regional board shall provide the person with a written explanation with regard to the need for the reports, and shall identify the evidence that supports requiring that person to provide the reports.”

14. The technical reports required by this Order are necessary to ensure compliance with the discharge prohibition described in Finding No. 3, above, and this Cease and Desist Order, as well as to ensure protection of waters of the state, and to protect public health and the environment. The burden, including costs, of the reports required by this Order bear a reasonable relationship to the need for the reports and the benefits to be obtained therefrom.
15. The Water Board notified the Discharger and interested persons of its intent to consider adoption of this Cease and Desist Order, and provided an opportunity to submit written comments and appear at a public hearing. The Water Board, in a public hearing, heard and considered all comments.
16. Issuance of this Order is exempt from the provisions of the California Environmental Quality Act (Public Resources Code, section 21000, et seq.), in accordance with section 15321, subdivision (a)(2), title 14, California Code of Regulations.
17. Any person aggrieved by this action of the Regional Water Board may petition the State Water Board to review the action in accordance with Water Code section 13320 and California Code of Regulations, title 23, sections 2050 and following. The State Water Board must *receive* the petition by 5:00 p.m., 30 days after the date of this Order, except that if the thirtieth day following the date of this Order falls on a Saturday, Sunday, or state holiday, the petition must be received by the State Water Board by 5:00 p.m. on the next business day. Copies of the law and regulations applicable to filing petitions may be found on the Internet at: http://www.waterboards.ca.gov/public_notices/petitions/water_quality or will be provided upon request.

THEREFORE, IT IS HEREBY ORDERED that, pursuant to Water Code sections 13301 and 13267, the Discharger shall cease and desist from discharging wastes or threatening to discharge wastes, in violation of the Basin Plan prohibition and shall comply with the other provisions of this Order:

1. By **November 10, 2011**, the Discharger must complete one of the following:
 - a. Connect to the District's system.
 - b. Abandon the on-site wastewater disposal system on the Discharger's property, Assessor Parcel No. 077-351-27-11.

2. By **November 28, 2011**, the Discharger must complete one of the following:
 - a. If the Discharger has connected to the District's system, pursuant to option 1.a., above, the Discharger must request, both orally and in writing, that the District include its property on the list of properties connected to the District's system. The Water Board must be copied on the written request. Compliance with this provision will be determined by the Water Board through a review of the District's list.
 - b. If the Discharger has abandoned the on-site wastewater disposal system, pursuant to option 1.b., above, the Discharger must request, both orally and in writing, that the Lassen County Environmental Health Department (County) inspect the Discharger's property to verify that the on-site waste disposal system has been abandoned. The Water Board must be copied on the written request. Additionally, the Discharger shall provide the Water Board with a "Certification of Abandonment" provided by the County.
 - c. Provide a technical report (form included as Attachment D of this Order) documenting that the Discharger's property does not have an on-site wastewater disposal system. The report must include all information necessary to assist the Water Board in verifying the parcel number, street address, and the exact location of the Discharger's property, and any improvements to the property. The Discharger must provide written consent to allow Water Board staff to enter the Discharger's property for the purpose of verifying the absence of on-site wastewater disposal systems. If the Discharger wishes to be present during the inspection, the Discharger is requested to provide their contact information or the contact information of the person they wish to be present during the inspection. Contact information must include: name, mailing address, physical address of Spalding Tract property, phone number(s), and email address, if any.
3. The information required in paragraphs 2.a. through 2.c., above, is required to be provided pursuant to Water Code section 13267 (see Attachment E – Water Code section 13267 Fact Sheet), and is necessary to ensure that the person or persons to whom this Order is issued have taken appropriate action to abate the discharge, and/or threatened discharge, of waste in violation of the Basin Plan prohibition.

Failure to comply with the terms or conditions of this Cease and Desist Order will result in additional enforcement action, which may include the imposition of administrative civil liability pursuant to Water Code sections 13350 and/or 13268,

or referral to the Attorney General of the State of California for such legal action as he may deem appropriate.

I, Harold J. Singer, Executive Officer, do hereby certify that the foregoing is a full, true, and correct copy of an Order adopted by the California Regional Water Quality Control Board, Lahontan Region on September 14, 2011.



HAROLD J. SINGER
EXECUTIVE OFFICER

Attachment A: Vicinity Map

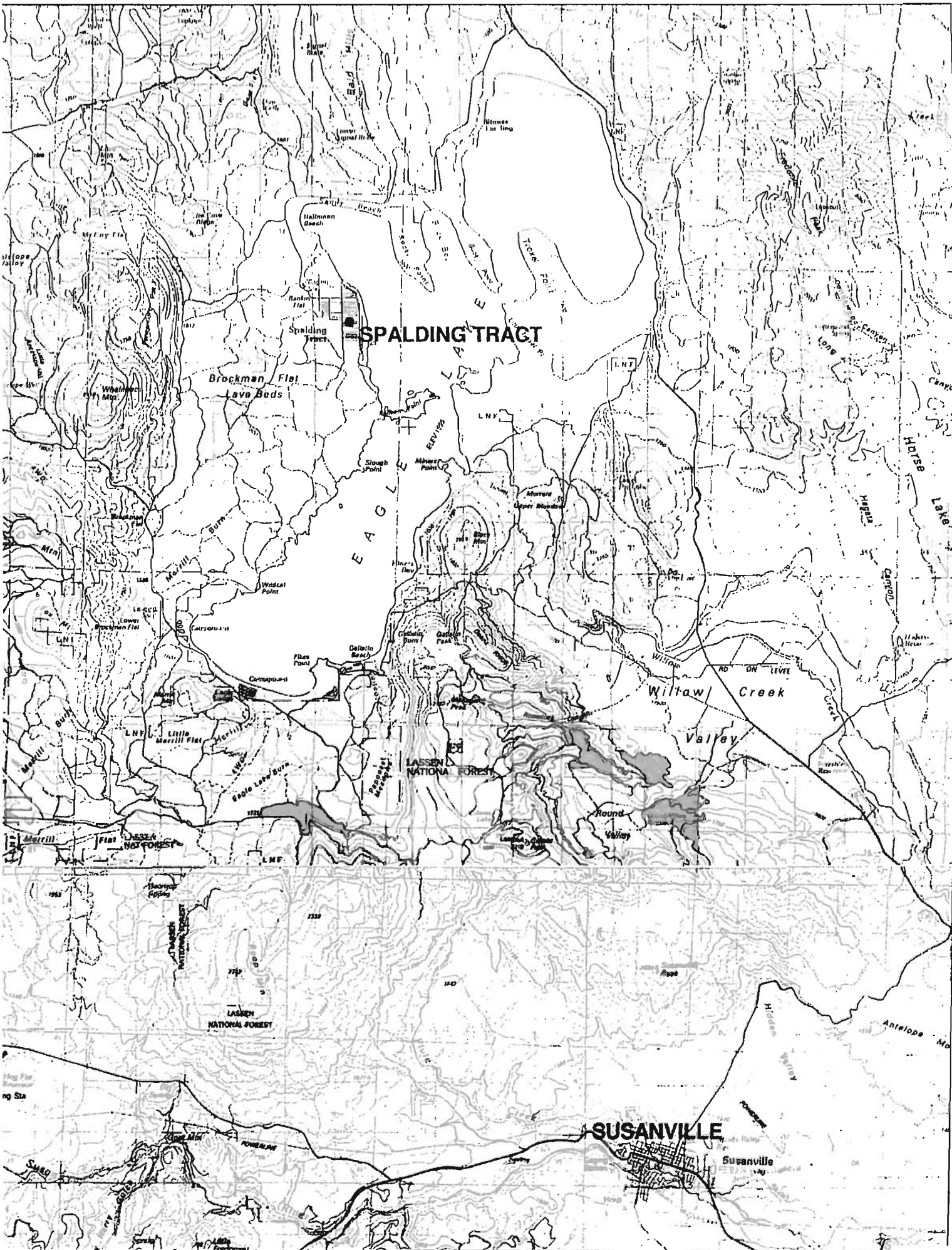
Attachment B: Lassen County Records for Lassen County Assessor Parcel No. 077-351-27-11

Attachment C: District Records

Attachment D: Technical Report Form – No On-site Waste Disposal Certification

Attachment E: Water Code section 13267 Fact Sheet

ATTACHMENT A



SPALDING TRACT

Brockman Flat
Lava Beds

LASSEN NATIONAL FOREST

SUSANVILLE

ATTACHMENT B

YXB 0259 49 93-05-9 P105 N/S
5-9361

12-21-01 24 10-12-07
Miles of 50 to 10-12-07
8760-2
Type #

LASSEN COUNTY HEALTH DEPARTMENT
 HOSPITAL LANE • SUSANVILLE, CA 96130 • PHONE (916) 257-8311 ext 153

APPLICATION FOR SEWAGE DISPOSAL PERMIT

To be completed by Owner or Authorized Agent. Permit Expires One Year From Date of Issue

Name Mark Johnson (Buyer) Mailing Address Vine Hill Dr. Santa Cruz Ca Phone _____

Installed by: Gary Mueller Co Location of Property Hemlock way

Assessor parcel No. 27-351-27

Subdivision Spaldings Unit _____ Block 65 Lot 456 Lot Size 12,000 sq ft

Type Premise: Dwelling _____ Mobile Home Commercial or other (specify) _____

Total Number: Living Units 1 Bedrooms 1 Baths 1

Water Supply: Public (specify) _____ Private (Type) Proposed well

SEWAGE DISPOSAL SYSTEM REQUIREMENTS

HEALTH DEPT. USE ONLY

Percolation Test Yes No _____ Results 28 min/in Date 5-21-86 Performed by: C. Mueller

Septic Tank: Size 1000 Gals. Material FG Glass Distance from Well 50+ Feet

Sewage Disposal Field: Distance from Well 100+ Feet Distance from Water Sources NA Feet

Length Each Line 100 Feet Distance from Lot Line 15 Feet

Total Length of Leach Lines 100 Feet Distance from Cen. County Road 50+ Feet

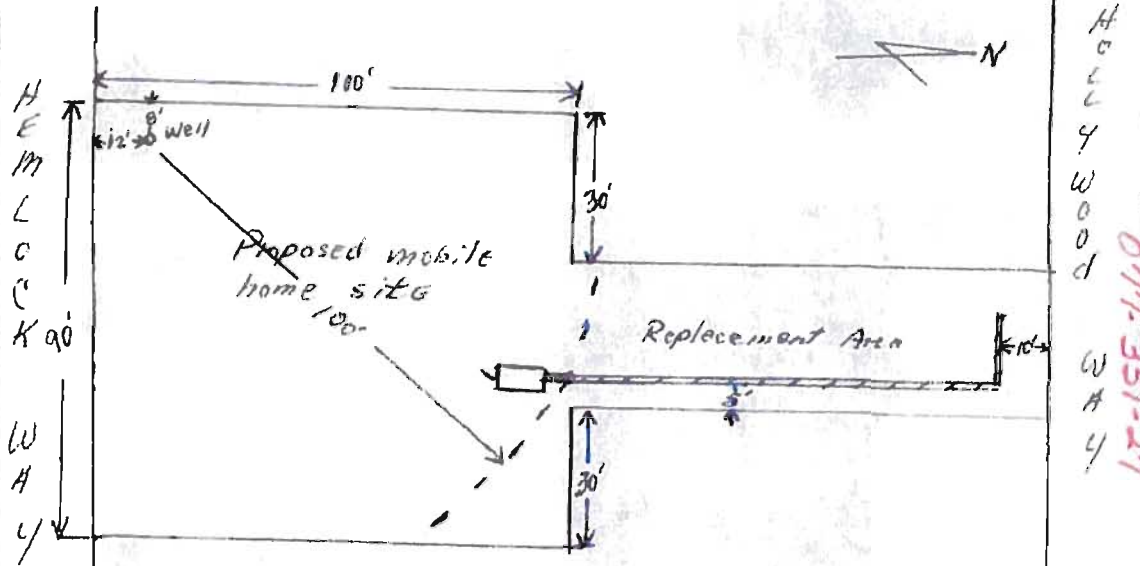
Width of Trench 2 Feet Distribution Box Yes _____ No

Depth of Trench 3 Feet

Depth of Gravel Beneath Leach Pipe 12 Inches Depth of Gravel Over Leach Pipe 2 Inches

Note: All Leach Lines must be installed level. Leach Gravel must be Graded 1/4-3/8 inches and washed.

PROVIDE SCALED PLOT PLAN Scale 1" = 30'



Indicate Northerly Direction

I hereby certify that I have prepared this application and that the installation will be done and inspected in accordance with Lassen County Ordinances and State Laws.

Signed [Signature] Title Contractor Date 5/21/86

NOTE: APPROVAL OF THE HEALTH DEPARTMENT IS NOT A GUARANTEE THAT THE PROPOSED INSTALLATION WILL OPERATE SUCCESSFULLY. IT IS MERELY THAT THE SYSTEM MEETS THE MINIMUM REQUIREMENTS OF THE HEALTH DEPARTMENT.

PERMIT NO. 030670

Issued by: Jim R. Hall Sanitarian Date 6-19-86

Final Inspection by: Klaus Jones Sanitarian Date 10/13/87

Remarks _____

Hemlock Way
Wood
097-351-27
Johnson

M. Johnson

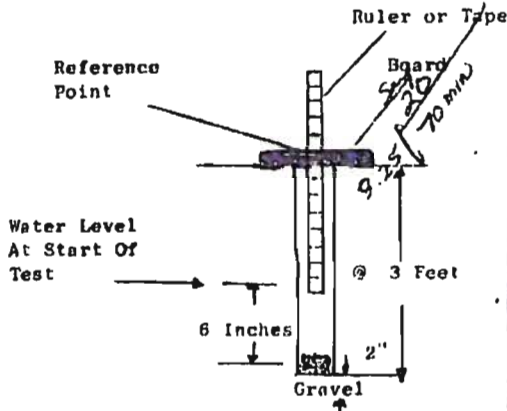
The object in conducting percolation tests of soil in which a drainfield or seepage pit is to be installed, is to determine the length of time required for the soil to absorb one inch of water when the ground has been saturated. The information obtained from these tests, together with a knowledge of the approximate amount and type of sewage to be discharged, makes it possible to determine the size of the drainfield necessary for a trouble free system.

Holes approximately 4 to 6 inches in diameter have been found to be the most convenient. However, this diameter is not critical and, particularly in very loose soils, it may be easier to dig larger holes. Sides of the holes should be vertical and the depth should be approximately that of the proposed drainfield (36"). The holes (2 or more) should be approximately 30 feet apart and in the area where the drainfield will be installed.

1. The sides should be roughed up to eliminate packing caused by the shovel or post hole digger, which would reduce the percolation rate. Two inches of fine gravel should be placed in the hole to prevent bottom scoring.
2. Fill the hole with clear water, being careful to avoid washing down the sides of the hole. By refilling if necessary, keep at least 24 inches of water in the hole for at least 24 hours. After the above saturation, start with 6 inches of water above the gravel (add water if necessary) and begin the measurements.
3. Select a reference point from which to measure (a board laid across the mouth of the hole is satisfactory) and measure the distance from the reference point to the level of the water. Enter the time and distance measured on the chart below.
4. Repeat the measurement at the end of 30 minutes. Continue making measurements at 30 minute intervals for 4 hours.
5. If the water level drops too low for further readings, refill to the 6 inch level at the end of a 30 minute period, measure, and proceed as before.
6. If the hole consistently drains in less than 30 minutes, make readings at 10 minute intervals for 1 hour.

The California State Housing Law requires that the proposed installation will absorb a quantity of clear water in a twenty-four (24) hour period equal to at least five (5) times the liquid capacity of the septic tank.

*2-5-86
2:15
2:25
2:35
2:45
2:55
3:05
3:15
3:25*

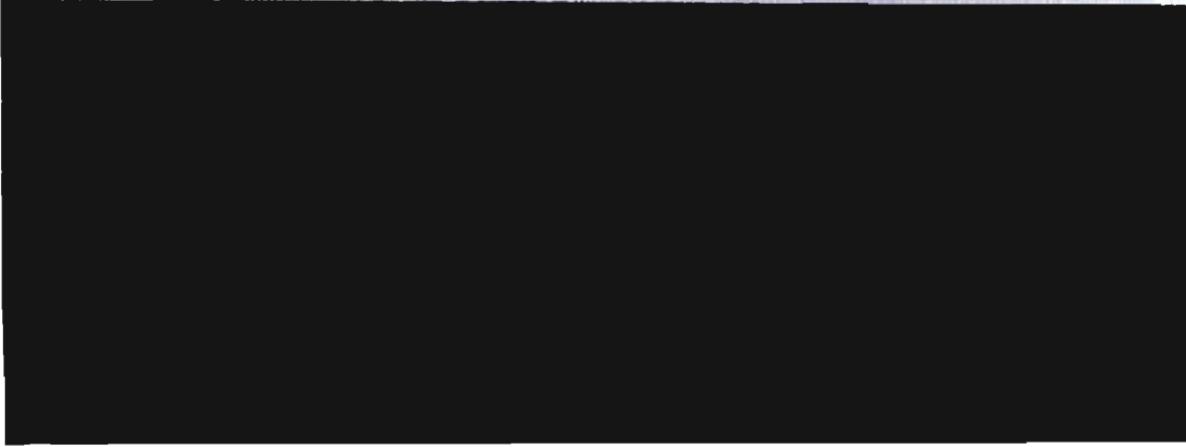


PERCOLATION TESTS RESULTS			
HOLE #1 35"		HOLE #2 47"	
Time	Depth To Water	Time	Depth To Water
2:15	27"	2:15	39 1/2"
2:25	28"	2:25	40 1/4"
2:35	28 1/2"	2:35	40 1/2"
2:45	28 3/4"	2:45	40 3/4"
2:55	29 1/4"	2:55	41 1/4"
3:05	29 3/4"	3:05	41 1/2"
3:15	30"	3:15	41 3/4"
3:25	30 1/4"	3:25	42"

I hereby certify that the above percolation tests were done in accordance with the instructions and the results recorded here are true and correct.

5/21/86 Date

[Signature] Signature of Person Conducting Test



INSPECTION REQUESTS . . .

DATE 10/10/84 DAY _____

NAME Michael Tomlinson

LOCATION Harbor City

Shelby

BLDG# _____ CITY _____

TYPE Demolition FL # _____

OUTCOME Approved

COMMENTS See

INSPECTOR J. L. Lingo

APPLICATION for SEWAGE DISPOSAL PERMIT

NOTE: THIS IS NOT A PERMIT TO INSTALL A SEPTIC SYSTEM. You must go to the Lassen County Community Development Department at 707 Nevada Street, Susanville, California 96130, to pay the required fee and get your permit.

ASSESSOR'S PARCEL NUMBER: 077-351-27	LOCATION: 687-225 HANCOCK WY, SPALDING	PERMIT NUMBER
SUBMISSION: SANDING	UNIT: 351	LOT SIZE: 4 LOTS
	BLOCK: 37	

To Be Completed By Owner Or Authorized Agent Permit Expires One (1) Year From Date Of Issue

NAME: Mark Johnson	MAILING ADDRESS: 60 DAVE EVANS 96134 714-850 CAROLYN WY, SUSANVILLE, CA	PHONE NUMBER: 530-2710
CONTRACTOR: MIKE ENGMAN	CONTRACTOR'S LIC NUMBER	

TYPE OF PREMISE		WATER SUPPLY	
<input checked="" type="checkbox"/> Dwelling	<input type="checkbox"/> Manufactured Home	<input type="checkbox"/> Commercial <i>Specify</i>	<input type="checkbox"/> Public <i>Specify</i>
<input type="checkbox"/> Other <i>Specify</i>	NO STRUCTURE ON PROPERTY		<input type="checkbox"/> Private <i>Specify</i>
Living Units		Bedrooms	Baths

SEWAGE DISPOSAL SYSTEM REQUIREMENTS HEALTH DEPARTMENT USE ONLY

PERCOLATION		SEPTIC TANK	
Percolation Test Performed	YES <input type="checkbox"/> NO <input type="checkbox"/>	Tank Size in Gallons	ABANDONMENT
Results:	N/A	Material Construction of:	
Performed by			

SEWAGE DISPOSAL FIELD			
Distance from Well	Feet	Length of Each Line	Feet
Distance from Water Source	Feet	Total Length of Leach Lines	Feet
Distance from Lot Line	Feet	Width of Trench	Feet
Distance from Centerline of County Road	Feet	Depth of Trench	Feet
Required Distribution Box must be		Depth of Gravel Beneath Leach Pipe	Inches
Set in Concrete	YES <input type="checkbox"/> NO <input type="checkbox"/>	Depth of Gravel Over Leach Pipe	Inches

NOTE: All leach lines must be installed using a transit level, engineer's level, laser level or equivalent. Leach gravel must be graded 1 1/2 - 3 inches washed

PROVIDE A SCALED PLOT PLAN: Scale _____ INDICATE NORTHERLY DIRECTION

SEE ATTACHED

NOTE: In the event that unsuitable conditions (i.e., excessive OR consolidated rock, hardpan, water, etc.) or questionable material is encountered during excavation; STOP WORK IMMEDIATELY and contact the Health Department.

I hereby certify that I have prepared this application and that the installation will be done and inspected in accordance with the Lassen County Ordinances and State Laws.

Signature: Mark Johnson Title: OWNER Date: 4/24/09

DO NOT FILL IN BELOW THIS LINE

APPROVAL OF THE HEALTH DEPARTMENT IS NOT A GUARANTEE THAT THE PROPOSED INSTALLATION WILL OPERATE SUCCESSFULLY. THE HEALTH DEPARTMENT IS NOT RESPONSIBLE FOR THE PROPOSED INSTALLATION.

APPROVED APPROVED WITH CONDITIONS

Issued By: Ray Ames EHS Date: 4/24/09

Field Inspection By: _____ EHS Date: _____

Remarks/Conditions: DAVE EVANS IS ACTING AS AGENT FOR MARK JOHNSON

ATTACHMENT C

ATTACHMENT C

	DATE OF HOOKUP	Spnding Residents Connected to the District Disposal System APPLICANT NAME	SERVICE ADDRESS	APN#
1	09/10/09	Abrams, Shirley H 1992 Rev TR	687-725 Spruce Way	077-193-02
2	04/03/08	Adams Family Trust	Laurel Way	077-343-17
3	08/01/08	Adams Family Trust Agreement	687-285 Juniper	077-354-25
4	06/09/08	Aguiano, Jose R ETAL	Magnolia Way	077-334-13
5	06/04/08	Allen, Glen & Ida Rev. Trust	686-730 Catalpa	077-374-19
6	07/31/08	Alvarez Charles R.	688-100 Ivy Way	077-221-16
7	08/06/08	Aman, Lisa Mario	503-555 Mahogany Way	077-301-23
8	05/21/09	American Legion Eagle Lake Post 162	687-935 Spruce Way	077-193-34
9	11/02/07	Anderson, Christopher J./J.A	687-815 Cedar Way	077-283-24
10	04/14/08	Anderson, Dale A & Virginia A Revoc. Trust	687-590 Hazel	077-331-30
11	03/18/08	Anderson, James L/Sherri A CP	Hazel/Maple	077-211-19
12	05/30/08	Anderson, Lee A Faye Z. JT.	686-855 Acorn Way	077-392-14
13	05/08/08	Armstrong Family Trust	687-450 Magnolia Way	077-334-21
14	09/24/08	Armstrong Living Trust	687-384 Sycamore	077-311-45
15	04/22/08	Armstrong, Dale A. & Myrna A.	688-050 Sycamore	077-241-20
16	06/11/08	Armstrong, Robert T/Mabel E	688-035 Laurel Way	077-223-21
17	05/16/08	Arnold, Michael Wayne/Katherine Diane Rev TR	RV Park - The Strand	077-182-09
18	04/30/09	Arnold, Michael Wayne/Katherine Diane Rev TR	RV Park - The Strand	077-181-12
19	11/02/07	Arons, Gerald J/Louise C	502-630 Mahogany Way	077-234-36
20	09/03/09	Artinian, Perry Exemption TR	502-475 The Strand	077-151-23
21	10/24/07	Atteberry David Ned & Vera Louse Jt.	686-930 Cherry Way	077-371-19
22	04/17/08	Atteberry, Harley/Lawanda	686-765 Fir Way	077-383-39
23	07/29/09	Aubrey, Randall D/Valerie JDVA	686-795 Bamboo Way	077-393-23
24	10/06/08	Baer Ronald L. & Scott-Baer, Daleen E.	Juniper	077-231-26
25	11/13/09	Bailey Trust ETAL	Laurel Way	077-234-22
26	12/08/08	Bailey, Irene	687-725 Hazel Way	077-234-41
27	09/05/08	Baker, Joseph A. & Donna G.	686-905 Sycamore Way	077-402-14
28	02/12/08	Baker, Joseph A. & Donna G. JT.	686-905 Sycamore Way	077-402-23
29	05/09/08	Baker, Victor O./ Marguerite J.	687-010 Hollywood Way	077-363-18
30	03/31/08	Baillard, Richard H & Bobbie L	687-760 Laurel Way	077-233-56
31	12/02/08	Barnes Family Trust Agreement	687-870 Junper Way	077-232-33
32	06/02/08	Barnett Stephen R. & Joann W.	687-100 Bamboo Way	077-397-31
33	04/08/08	Barris, Patrick H/Gloria J.T.	Walnut Way	077-171-35
34	10/07/08	Barrows, Donald A/Barrows, Linda K TC	687-115 Cherry Way	077-388-23
35	08/12/08	Bateson, Clarence Owen/Susan Elizabeth	687-560 Fir Way	077-292-09
36	08/05/08	Bechhold Family Trust	The Strand/Hollywood Way	077-241-11
37	04/15/08	Beck Ronald N. & Gwen M JT.	686-840 Redwood Way	077-401-20
38	05/19/08	Beckett Family Living Trust	686-755 Cataipa	077-373-18
39	09/16/08	Beckett Family Living Trust	686-775 Cataipa	077-373-21
40	09/25/08	Beckett Family Living Trust	686-830 Cataipa	077-374-27
41	07/10/08	Beckman, Ronald G/Natalie J JT	687-100 Delwood	077-386-12
42	10/09/08	Belingheri Dennis D. & Stacy & Ziegler Paul M. JT.	688-090 Linden Way	077-223-24
43	06/12/09	Bell, Max K/Lynn D JT	686-755 Chestnut	077-371-08
44	06/18/08	Bemus Joseph M.& Susan C. CP.	686-855 Cataipa	077-373-20
45	10/14/08	Bennett, Thomas Lee/Bennett, Robin Rae	686-825 Sycamore Way	077-402-20
46	07/09/08	Bergthhold, Robert D/Terri HW	687-840 Almond	077-174-27
47	08/12/08	Betts, F Gregory/Doris B Family Trust	Walnut Way	077-161-22
48	08/27/09	Bilsborough, Craig/Linda JT	686-885 Fir Way	077-383-35
49	07/17/09	Birkes Charles W. Marilyn	687-475 Juniper Way	077-322-04
50	05/18/09	Birten, Richard/Salena JT	688-125 Juniper Way	077-221-17
51	12/22/09	Blshow, Raymond L.	Hickory Way	077-254-28
52	12/04/09	Bixby, William D/Ann R CPRS	687-825 Linden Way	077-232-41
53	03/27/08	Blackwell, Glenn R/Jeanette JR	687-130 Linden	077-342-18
54	10/29/08	Bloom, Kennieth D/Janis ETAL	687-285 Hickory	077-352-17
55	04/30/09	Boggs, Michael L/Christie Ann JT	Laurel Way	077-224-26
56	06/11/08	Bollmann Richard M & Jaque A. JT.	686-835 Delwood Way	077-381-17
57	07/08/08	Boucher Family Trust	687-745 Tulip Way	077-194-42
58	07/21/08	Bowman, Joe E ETAL	687-740 Lakeview Dr.	077-274-31
59	09/18/08	Boyles Walton	688-040 Manzanito Way	077-141-15

	DATE OF HOOKUP	Spalding Residents Connected to the District Disposal System APPLICANT NAME	SERVICE ADDRESS	APN#
60	10/06/08	Brazil, Joseph Souza/Volma Leo Living Trust	687-675 Orchard Way	077-214-28
61	06/06/08	Brazil, Larry E	307-920 Hollywood Way	077-312-06
62	07/21/08	Bresin Family Revocable Living Trust	Chinquapin	077-204-06
63	06/03/09	Browster, George & Cheryl Family Trust	Pinon/Sycamore	077-362-32
64	07/03/08	Bricker Living Trust	687-005 Catalpa Way	077-377-16
65	08/13/08	Bricker Living Trust	687-015 Catalpa Way	077-377-15
66	07/10/08	Briggs Living Trust	687-465 Hazel Way	077-324-32
67	05/13/08	Brinos Family Trust	687-990 Almond Way	077-151-15
68	06/27/08	Brochon Martial Henry & Delilia Ann JT.	Redwood Way	077-273-33
69	11/06/07	Brown, Robert G.	503-155 Mahogany Way	077-304-56
70	06/06/08	Bruco Family Trust	687-015 Ivy Way	077-353-28
71	06/26/09	Buechler, Vigil D Revocable Trust	68-805 Magnolia	077-216-04
72	07/28/08	Bullock, Arnold E/Bullock Viola J TR	687-995 Hemlock Way	077-242-24
73	12/01/09	Burkirk, Jeffery O/Margaret A JT	Chestnut Way	077-371-06
74	03/04/08	Burleson, Vicki L	687-150 Hickory Way	077-353-23
75	09/05/08	Bush, James, K/Debra M JT	688-120 Hemlock Way	077-243-09
76	04/08/08	Bush, Angelina L	687-020 Cedar Way	077-377-08
77	06/05/09	Butler, Pamela Lynn	Chestnut Way	077-376-17
78	04/12/10	Cady, Douglas & Lisa JT	687-630 Hazel Way	077-331-41
79	09/18/09	Cal, Family Living Trust	Lakeview Dr.	077-362-36
80	02/15/08	Callison Living Trust	Cedar Way	077-283-15
81	04/24/08	Campbell, Stuart B & Paula S	530-225 The Strand	077-241-26
82	07/10/09	Caron, Jean A. & Yvonne N. HWCP	687-590 Sycamore Way	077-311-40
83	06/25/08	Carrell, Robert G & Melcena Family Trust Etal	687-305 Spalding RD.	077-303-37
84	11/13/09	Carver, Kenneth/Strongman, Linda	687-205 Hazel Way	077-324-50
85	08/22/09	Castaneda, David & Donna JT	686-720 Delwood Way	077-382-09
86	08/21/09	Chan Family Trust	684-745 Orchard	077-214-18
87	01/15/10	Chandler, Diane	687-600 Redwood Way	077-303-27
88	10/25/07	Chappel, Sherry	687-875 Linden Way	077-232-31
89	05/01/08	Chatterley, Robert E & Bertha A. JT	687-320 Hazel Way	077-331-52
90	09/23/09	Cheng, Rovina Y	687-290 Juniper Way	077-322-12
91	07/06/11	Chuck, Mitchell/EKT Properties	687-995 Redwood Way	077-262-13
92	05/28/08	Clark, Donald L/Gina M JT	687-805 Sycamore Way	077-274-30
93	02/17/10	Clark, Mark L. & Reatha Pauline JT	Tamarack Way	077-173-35
94	08/20/09	Clark, William Jacob	Tulip Way	077-161-18
95	04/10/08	Clayton, Robert James	687-015 Redwood Way	077-378-22
96	09/08/08	Claytor, Ronald/Kathryn TC	688-000 Lakeview Dr.	077-264-19
97	08/25/08	Clough Family Tr.	682-920 Juniper Way	077-232-44
98	01/29/09	Clowers, Herbert F ETAL	Larch Way/The Strand	077-132-18
99	08/31/09	Coffey, Kenneth W/Dorothy J	686-850 Delwood Way	077-382-13
100	03/26/08	Coleman, Stephanie M ETAL	687-795 Chinquapin Way	077-213-05
101	09/22/08	Colgan Family Trust	Sycamore Way	077-363-19
102	07/02/09	Congdon, Michael R/Debra S	688-020 Redge Way	077-152-02
103	07/11/11	Contreras, Robert SR. & Cyndi L. JT.	Juniper Way	077-232-42
104	12/12/07	Cook Family Trust	688-085 Hickory Way	077-243-23
105	12/09/08	Cook, Richard W JR/Donna J CPS	Hickory Way	077-244-23
106	12/31/07	Corey, Clifford & Jeanne CPRS	687-440 Hemlock	077-313-18
107	09/11/08	Councilman Family Trust	Hollywood	077-252-25
108	06/25/10	Crete, Joseph C & Terri JT	Acom Way	077-393-14
109	08/16/08	Crowe, Paul L. & Arlene M. TR	687-890 Ivy way	077-231-32
110	08/26/08	Culjis, Lana S	686-975 Chestnut Way	077-375-19
111	09/21/09	Cunnington, Roger	Walnut Way	077-171-36
112	08/17/09	Cunnington, Roger ETAL	Hazel Way	077-331-40
113	03/24/08	Cunnington, Ronald & Lloy CP	688-085 Tulip way	077-184-19
114	06/11/08	Curley, Richard D/Judith A CP	686-785 Cypress	077-394-11
115	06/18/08	Curran, David M. & Carol L. JT	688-060 Hemlock Way	077-243-22
116	04/20/09	Curry, Richard A/Michelle J	503-400 Madrone Way	077-374-23
117	04/20/09	Curry, Richard A/Michelle J	Fir Way	077-383-37
118	12/06/07	Dallimore, Rosaline & Richard P. WHCP	688-025 Mimosa Way	077-142-19
119	04/18/08	Davey Roland A & Rose Marie	689-110 Spalding Rd.	077-362-38

	DATE OF HOOKUP	Spalding Residents Connected to the District Disposal System APPLICANT NAME	SERVICE ADDRESS	APN#
120	07/16/09	Davis, G L or J A	688/145 Laurel Way	077-223-27
121	08/03/09	Davis, G L/J A Rev Liv TR	Tulip Way	077-171-27
122	10/07/09	Davis, Patricia Candis	Laurel Way	077-223-23
123	06/30/11	Davis, Robert & Annilla JT	687-770 Hollywood Way	077-252-04
124	05/15/09	Dawson, Gray/Julie CPRS	688-000 Tulip Way	077-161-03
125	02/28/08	Deaver, Howard R/Brown Carol S JT	687-280 Magnolia Way	077-334-01
126	07/01/08	Degli-Esposti, Robert F. & Deanna J. Fam. Revoc. Li	687-800 Hickory Way	077-254-26
127	04/20/09	Dempsey, Tom	387-760 Walnut Way	077-172-23
128	12/13/07	Denny Leland J & Santos, Linda Ann JT	687-710 hemlock Way	077-253-34
129	04/15/09	Denny, Lowell G & Denny, Christian P. JT	687-635 Hazel Way	077-324-46
130	05/21/08	Dettlolf, Susan E. & Michael D CP	687-010 Cedar Way	077-377-11
131	05/14/08	Devine, Robert William/Doreen Anne H-WJT	Hollywood/Madrone	077-411-20
132	04/18/08	Dielenderfer Family Trust	Lilac Way	077-153-21
133	06/11/09	Dietrich, Bonnie K	520-687 Sycamore Way	077-311-06
134	06/19/08	Dingess, Terry L/Ernesline S JT	687-0145 Hickory Way	077-352-30
135	04/14/08	DiPonti, Robert & Dolores M PMB 166 Sutie 7	687-580 Maple Way	077-332-56
136	05/20/09	Dittmar, Donald D/Carolyn Y	687-775 Maple Way	077-211-17
137	10/09/08	Doll Revocable Inter Vivos TR	Spalding/Pinion	077-362-33
138	08/27/08	Donnell, Avis C Living Trust	687-560 Ivy Way	077-231-35
139	05/01/08	Doss, L.A./Linda JT	688-000 Hickory Way	077-244-32
140	09/19/08	Doty, Dennis W & Flynn-Doty, Diana HW	687-155 Hickory Way	077-353-24
141	11/02/07	Dowdy, Russell	Cedar Way	077-271-18
142	09/15/08	Dreiss Family Trust	687-105 Fir Way	077-387-10
143	06/02/08	Drew, James E/Henderson, Karen	688-090 Oak Way	077-132-20
144	08/03/08	Driggs Family Trust	Acom Way	077-395-26
145	07/02/08	Duchi, Angelo A. & S. Ronda	Hazel Way/The Strand	077-224-27
146	08/13/08	Dunlap Angela K & Walsmith George JA	687-880 Hazel Way	077-215-11
147	11/19/07	Eagle Lake Community Church	687-905 Lakeview Dr.	077-273-41
148	07/01/09	Eakin, Janice L	686-730 Hickory Way	077-413-15
149	06/12/09	Ehn, Charles M & Mayme A.	688-085 Hemlock way	077-242-12
150	09/12/08	Eldred Family Trust	686-925 Acacia Way	077-391-19
151	08/01/08	Ellasces, Frank K Sr/Michell D Vaughn JT ETAL	Cedar Way	077-373-23
152	06/04/08	Elvin, Henry J/Mary M TR	Bamboo Way	077-394-17
153	07/16/08	Erlwine, Edward F. & Mary I 1992 Revco. Family	688-090 Redwood Way	077-263-14
154	10/16/08	Estes, Kenneth P/Mary L JT	Magnolia Way	077-216-10
155	10/24/07	Evans, Ronald R & Janet L. JT	687-750 Hickory Way	077-254-32
156	03/14/08	Fagundes, John P/Laurie M	503-555 Madrone	077-381-13
157	11/27/07	Fahringer, Pearlina	687-945 Tulip Way	077-194-44
158	07/03/09	Farley, Fred E	687-010 Delwood Way	077-386-19
159	09/11/08	Farmer, Jerrel H. & Farmer, Maude M Rev.	686-125 Delwood Way	077-381-07
160	10/14/08	Faris Family Trust 1998 Rev. TR	Bamboo Way	077-397-28
161	10/27/08	Faris, Gloria C.	Cherry Way	077-282-09
162	07/01/08	Fauvelle, Mark D.	686-850 Cedar Way	077-373-19
163	07/13/09	Feist, Robert J	Hickory Way	077-253-36
164	08/07/09	Feist, Robert J	687-915 Laurel Way	077-233-38
165	06/11/09	Fenner, Theodore R/Anita B JT	Sycamore	077-264-17
166	07/18/08	Ferrier, William T/Laurette K JT	687-990 Ivy Way	077-221-18
167	12/19/07	Field, Shirley L Family Trust	Acom Way	077-396-18
168	04/09/08	Field, Shirley L Family Trust	Acom Way	077-396-17
169	03/05/08	Fies, William J JR. Trust Agreement	Hickory Way	077-244-30
170	03/24/08	Fischer, Charles B. & Janet A. Trust	Tulip	077-194-45
171	04/23/09	Fiske, Willard A/Deanna M	Catalpa Way/The Strand	077-262-07
172	05/02/08	Flandreau, Claude-Anne 2005 TR	687-245 Sycamore Way	077-362-35
173	06/06/08	Flannagan, James S. TR	686-925 Madrone Way	077-351-23
174	11/14/07	Fortier, Gerald & Tracy JT	687-900 Tamarack Way	077-174-18
175	04/07/10	Foulk, Benjamin L	Linden Way	077-222-21
176	10/03/08	Fredenburg, Kenneth D	687-800 Hazel Way	077-211-15
177	10/26/07	Frey, Heinz Robert & Lieselotte JT	688-040 Lake View	077-264-07
178	08/28/09	Gaines, Theodore 1996 Trust	The Strand	077-221-06
179	11/26/07	Gallagher Family TR	687-960 Linden Way	077-223-28

	DATE OF HOOKUP	Spalding Residents Connected to the District Disposal System APPLICANT NAME	SERVICE ADDRESS	APN#
110	10/25/07	Garcia Family Trust	686-995 Chestnut	077-375-10
111	05/26/09	Garcia, Larry Michael/Sherre A HW/JT	688-035 Hollywood Way	077-241-23
112	05/26/09	Garcia, Larry Michael/Sherre A	Hollywood Way	077-241-24
113	10/02/09	Gardner, Jane E	688-100 Linden Way	077-223-25
114	12/11/07	Garland, John M & Regina K. JT	687-820 Ivy Way	077-231-27
115	08/05/09	Gates, Donald F/Charlene	Chestnut/Cherry	077-293-12
116	11/13/09	Geor, Glen	Laurel Way	077-233-53
117	05/27/09	George, Byron W/Veverly A	Sycamore	077-251-46
118	11/02/07	Glenden, Jack Terrence/Helen Lathe Family Trust	687-600 Cedar Way	077-301-19
119	04/24/08	Glenn, James H. Irrevocable Trust	687-960 Sycamore	077-241-22
120	05/07/08	Glenn, Loon H.	688-030 Sycamore Way	077-241-25
121	04/07/08	Godde, Lawrence A. & Godde, Gealdine D	Lakeview Dr.	077-273-39
122	09/12/08	Golden Gary/Erma E Trust	Almond Way	077-164-20
123	04/21/08	Gomez, Joe I & Olivia ETAL	687-315 Hazel Way	077-324-47
124	05/08/09	Goodenow, Rev Robert/Susan Mae CPRS	Juniper Way	077-221-24
125	05/01/09	Goodwin, Stephen D/Susan E JT		077-361-27
126	04/21/08	Goyette,Vern & Porrasi, Cecilia TC	077-232-23 Linden Way	077-232-23
127	05/14/08	Grajczyk, Gary R. & E. Louise	687-320 Hollywood Way	077-312-26
128	04/27/09	Graton, Diane Alane/Kari Michelle	687-305 Laurel Way	077-323-33
129	06/09/08	Gregorius, Benedict & Sheila Francine JT	687-985 Chinquepin	077-217-10
130	05/09/08	Grout, George/Zona JT	688-105 Hazel Way	077-224-11
131	05/28/08	Haddox, Caroline ETAL	Walnut/Willow	077-172-25
132	06/03/08	Hague Donald & Edith E HW/Hague, Montana May	686-810 Acorn Way	077-393-25
133	11/12/09	Haines, Cidne J. ETAL	Hemlock Way	077-351-03
134	09/05/08	Hallas, Charles/Rosalie Living Trust	688-125 Hickory Way	077-243-24
135	07/18/08	Handy Thomas & Linda	686-730 Acorn Way	077-393-12
136	07/16/08	Harper Family Trust	Chestnut Way	077-371-10
137	11/21/07	Harrison, Richard K/Julie A	Linden Way	077-233-46
138	08/26/08	Harvey Family Trust	687-930 Hazel Way	077-215-12
139	04/25/09	Hasty, Clarence/Virginia Revoc Liv Tr	687-775 Orchard Way	077-214-29
140	04/29/08	Healy,Thomas &Dolores Etal %Robert, OB	687-640 Linden Way	077-323-36
141	06/18/08	Helmer, Nason James/Gail Ann Rev TR	686-800 Chestnut Way	077-372-20
142	03/18/08	Hembree , Stephanie L	Maple Way	077-212-15
143	08/28/08	Henrickson, Joseph G III/Marilyn HW/JT	687-025 Spalding Rd.	077-361-19
144	08/20/08	Henrickson, Joseph G III/Marilyn JT	503-475 Madrone Way	077-373-13
145	05/02/08	Henson John E & Evelyn A Trust	503-150 Pinion Way	077-304-52
146	10/25/07	Herfi, David Lee & Cynthia Louise JT	Lakeview Dr.	077-274-20
147	04/20/09	Heritage Land Co	Redwood Way	077-262-18
148	07/22/09	Heritage Land Co	Elm Way	077-383-20
149	07/23/09	Heritage Land Co	Elm Way	077-383-31
150	08/12/09	Heritage Land Co	686-920 Spalding Rd.	077-362-28
151	04/21/10	Heritage Land Co	Acacia Way	077-392-19
152	04/22/08	Herrbach, Clarence E/Herrbach, Rae B	686-760 Sycamore Way	077-403-20
153	08/21/09	Herrick Family Trust	687-595 Hazel Way	077-324-45
154	04/09/08	Hiehle, Dustin L. & Georgia JT	687-005 Cedar Way	077-376-24
155	05/27/09	Hindbaugh, Ronald P.Earlina M JT	687-945 Sycamore Way	077-274-18
156	05/28/09	Hindbaugh, Ronald P.Earlina M JT	687-900 Sycamore Way	077-251-34
157	06/01/09	Hindbaugh, Ronald P.Earlina M JT	687-490 Sycamore Way	077-311-41
158	09/26/08	Hindersheid, Dave/Cecelia	687-755 Juniper Way	077-231-23
159	07/28/08	Holland, Paul Reginald/Flor Rev Liv Trust	Strand/Willow/Walnut	077-162-07
160	04/02/08	Hopwood, Kenneth/Jayne H ETAL All AS JT	686-950 Sycamore Way	077-363-15
161	04/07/08	Hosking Robert R/Margaret	687-040 Cedar Way	077-377-09
162	05/15/08	House, David J/Chrisandra M CPS	687-765 Orchard Way	077-214-17
163	1-Oct-08	House, James/Diana JT(Vista Reverse 8 LLC)	688-045 Redwood Way	077-262-14
164	06/04/09	House, Jesse P/Dolores M House TR	Hollywood/Madrone/Sycar	077-363-29
165	08/21/08	Howes James W. & Elizabeth	687-670 Catalpa Way	077-272-01
166	06/03/08	Hunter, John L. & Dorothy A JT	687-505 Hollywood Way	077-311-37
167	04/09/08	Illia Family Trust	687-300 Sycamore	077-311-23
168	08/25/08	Ito, Douglas Y ETAL	Hickory Way	077-353-27
169	04/14/08	Jackson Family Trust	686-920 Redwood Way	077-401-05

	DATE OF HOOKUP	Spalding Residents Connected to the District Disposal System APPLICANT NAME	SERVICE ADDRESS	APN#
240	09/23/08	James Timothy & Louise JT.	687-065 Acorn Way	077-395-16
241	03/31/08	James, Daniel L. & Diane L. JT	687-350 Hazel Way	077-331-43
242	09/29/08	Jarvis Family Trust	686-760 Chesnut Way	077-372-19
243	10/22/09	Jellroy, James	686-990 Catalpa Way	077-378-24
244	05/28/09	Jennings, Robert H/Pamela A	Hazel Way	077-224-23
245	06/09/08	Jessop, Merl & Sondra L. Elal	Chinquepin	077-214-23
246	06/09/08	Jessop, Merl & Sondra L. Elal	Chinquepin	077-214-26
247	06/09/08	Jessop, Merl K. & Sondra L. JT.	Chinquepin	077-214-15
248	06/02/08	Johnson, John E. & Darlene M.	687-815 Hazel Way	077-234-40
249	09/18/09	Johnston Family Trust ETAL	687-045 Hickory Way	077-352-19
250	06/18/08	Jones, James E.	876-715 Hollywood	077-251-20
251	04/24/08	Jones, Jerry Lee/Marsha S Fam TR	687-995 Sycamore Way	077-264-18
252	11/06/07	Jordon Norbert & Ruth E JT	687-705 Spruce Way	077-193-35
253	05/01/09	K C Investments	686-945 Cedar Way	077-376-22
254	08/25/08	Kaiser, Bruce & Voorheis, Thelma JT	Hollywood Way	077-242-18
255	07/25/08	Keehn, Thomas J	687-110 Tulip Way	077-184-20
256	06/19/08	Keller, Nelda Ray Revocable Living Trust	687-585 Hollywood Way	077-311-44
257	04/22/08	Kelley Family Trust C/O Ian Kelley Trustee	688-005 Ivy Way	077-244-31
258	06/06/08	Kelly, Paul D. & Deborah K. JT.	Laurel Way	077-234-39
259	08/21/09	Kelly Family Trust	Ridge Way	077-151-24
260	06/02/08	Kerr Living Trust	686-800 Bamboo Way	077-394-16
261	06/26/09	Killingsworth, Gregory J/Lynn M JT	688-005 Lilac Way	077-152-19
262	02/26/08	Kimbal, Dana S & Quilici, Janet K. JT	687-000 Acorn	077-396-08
263	11/02/07	Kimura, Roy Michio & Kimura, Anne Tr.	687-608 Ivy Way	077-231-31
264	04/15/08	Kinder, Stanley K	Linden Way	077-222-20
265	06/23/08	King, Douglas G/Taura D	Willow Way	077-162-14
266	09/05/08	King, Douglas G/Taura D	Hollywood	077-251-42
267	08/15/08	King, Robert	686-835 Hollywood	077-403-18
268	12/03/09	Kish, Leonore M.	Chinquepin Way	077-204-15
269	06/18/08	Kneeland, Paul J	686-990 Hickory Way	077-353-11
270	07/03/09	Knifong Lester D. & Lodellee Revocable Living Trust	687-155 Hickory Way	077-352-31
271	09/17/08	Koch Living Trust	687-280 Hickory Way	077-353-20
272	10/21/09	Koch, Linda C Revo Live TR	Chestnut Way	077-283-16
273	06/02/08	Koehly, Joseph & Mercedes	687-240 Laurel Way	077-344-14
274	04/24/08	Kolbet, Richard N/Knapp Lucille	687-855 Catalpa Way	077-271-23
275	09/12/08	Kottke Family Trust	687-950 Catalpa	077-272-42
276	05/01/08	Krupp Family Revocable Trust	687-710 Sycamore	077-251-39
277	10/23/07	Kvidera, Michael C. & Marilyn Living Trust	686-985 Redwood Way	077-378-23
278	12/17/09	Larimore, Harry A/Beatrice A JT	686-915 Cypress Way	077-397-33
279	04/04/08	Larson Larry Lee/Hazel M CP	686-975 Sycamore Way	077-362-30
280	07/28/09	Lashmet, Harry T	688-040 Laurel Way	077-224-25
281	07/29/09	Lashmet, Harry T	Laurel Way	077-224-24
282	11/01/07	Lavarias, Jim B. & Vera A. CP	688-020 Juniper Way	077-222-17
283	05/01/09	Lawrence, John Paul/Lee Davis McGlenn	Elm Way	077-387-18
284	09/09/08	Lawson Family 1997 Trust	Linden Way	077-323-40
285	11/29/07	Lay Gene W. & Merle A. CRPS	Acorn Way	077-393-17
286	06/03/08	Lay Gene W. & Merle A. JT	686-875 Acacia Way	077-391-17
287	11/05/10	Lee, Irwin/Riva	687-875 Willow Way	077-172-24
288	08/08/08	Lemon, Earl L. & Evelyn L. Trust	688-040 Hollywood Way	077-242-25
289	08/04/08	Lemon Grant L. & Kenny, Lenore M HW	687-960 Hemlock	077-243-26
290	04/22/09	Leonard, William R Jr/Cynthia A HWJT	688-160 Juniper	077-222-13
291	07/04/08	Leonard, William R/Cynthia A JT	686-955 Spalding Rd.	077-361-24
292	08/07/09	Leonard, William R/Cynthia A JT	687-245 Linden Way	077-342-11
293	06/23/08	Leonhardt, Larry/Priscilla CPRS	68-730 Chesnut Way	077-372-18
294	04/16/09	LeRoy, Doreene	687-630 Maple Way	077-332-45
295	04/20/09	LeRoy, John David	686-925 Spalding Rd.	077-401-04
296	05/28/08	Liggett, Raymond E	686-685 Bamboo Way	077-393-21
297	04/09/08	Long Lloyd E. & Inez M & David & Susan JT	Hollywood Way	077-241-19
298	05/28/08	Longe Gary, Alan & Virginia Jt	687-740 Catalpa Way	077-272-25
299	06/26/09	Loy, Regina M-Original Dt of hook-up - 9/08	687-730 Catalpa Way	077-272-41

	DATE OF HOOKUP	Spalding Residents Connected to the District Disposal System APPLICANT NAME	SERVICE ADDRESS	APN#
300	09/18/08	Luchetti 2002 Family Trust	686-825 Catalpa	077-373-11
301	09/09/08	Lunardi, Joseph I/Doris R Rev Int Sur TR	686-950 Fir Way	077-388-15
302	07/16/08	Machado Manual R. Roso M JT	688-050 Redwood Way	077-263-09
303	10/08/09	Macias, Raymond/Marjorie A	687-910 Walnut Way	077-172-16
304	18-Jun-08	MacKay, William E/Terry E	Hemlock Way	077-252-26
305	11/11/08	Madden, Roy P/Dannelle A JT	686-725 Elm Way	077-382-07
306	06/06/08	Magioncalda Frank Etal	687-665 Hemlock	077-252-29
307	04/29/09	Marcillac, George E 2005 TR	Tulip Way	077-194-12
308	05/21/09	Margelts, Gene H/Diane L JT	The Strand/Olive	077-133-05
309	12/11/07	Marlatt Daniell & Mardel JT.	Hazel	077-234-13
310	07/06/08	MARQUIS, TRINA J/SHELTON, BRIAN K JT	687-905 Catalpa Way	077-271-22
311	08/20/10	Martinelli, Mike/Paula & Schmitt Family Trust	Tamarack Way	077-173-16
312	06/26/09	Martinus, Paul W Family Trust ETAL	Hemlock	077-253-24
313	11/29/07	Marzorini Ray E. Tanya L	687-805 Maple Way	077-215-09
314	08/12/08	Marzorini Ray E. Tanya L	687-788 Ivy Way	077-231-34
315	06/25/08	Marzorini, Ray E & Tanya CP	687-840 Spruce	077-194-28
316	06/13/11	Masterson Family Trust ETAL	687-740 Tamarack Way	077-173-30
317	08/17/09	Matassa Family Trust	Cherry Way	077-371-12
318	09/16/09	Matthias, Paul L/Donna JT	Walnut Way	277-161-20
319	04/07/08	McCabe William H. Danny TC	Syamore	077-362-11
320	08/27/08	McDaniel, Harvey & Gloria Family Trust	687-810 Juniper Way	077-232-27
321	10/09/08	McEacher, James A/Carol M	Bamboo Way	077-396-11
322	05/21/09	McGrew, William/Esther	Lakeview Dr.	077-304-63
323	08/14/09	McKean, Robert E	686-880 Cypress Way	077-381-20
324	05/21/08	McKenzie, Ralph & Laura B JT	Acacia Way	077-392-17
325	09/22/09	McMillen, Tanya L/Jerry L	687-785 Ivy Way	077-254-29
326	07/20/09	McNamara, Kenneth J Sr/Diane M JT	687-270 Ivy Way	077-321-11
327	08/06/09	Medlyn, Robert/Julie	687-655 Chesnut Ave	077-293-13
328	07/11/08	Mellor, Brian S/Linda K JT	687-695 Orchard Way	077-214-27
329	05/10/10	Menard, Carole	687-635 Hollywood Way	077-311-12
330	12/12/07	Mendes Jonnie. Jr. & Birtie	687-660 Hemlock	077-253-20
331	06/06/08	Menzies Richard L & Charlene J.	686-835 Sycamore Way	077-402-17
332	04/17/08	Merkel Family Trust	687-615 Maple Way	077-331-49
333	10/08/08	Merrill Family Bypass Trust	Linden Way	077-233-31
334	04/10/10	Merritt, Robert L & Joan L (Travis)	Cypress Way	077-394-15
335	09/05/08	Michel Robert H.	686-895 Acorn Way	077-392-16
336	04/24/08	Middendorf, Thomas M/Mary E	687-829 Catalpa Way	077-271-24
337	11/19/08	Miller 2001 Revocable Trust	687-910 Tulip Way	077-171-32
338	11/19/08	Miller Family 2001 Rev Trust	687-890 Tulip Way	077-171-33
339	11/08/07	Miller, Arnold D. & Geraldine	687-500 Spalding Rd.	077-304-60
340	05/07/08	Miller, Michael H/Sue JT	687-070 Hollywood Way	077-363-23
341	08/08/08	Milliken, Ronald J/Zelma Mae Family Trust	688-110 Hollywood	077-242-10
342	10/23/07	Mingham Brain & Jane Family Trust	687-840 Tamarack	077-174-06
343	05/01/08	Mingham Family Trust	687-850 Willow Way	077-173-36
344	05/07/08	Mingham Family Trust	687-800 Willow Way	077-173-25
345	07/30/08	Monohan, Daniel D	687-100 Hemlock	077-352-22
346	02/28/08	Montgomery Chester G & Lawanda J Jt	688-040 Hemlock Way	077-243-25
347	05/07/08	Montgomery David Mary R JT	687-120 Hollywood Way	077-351-24
348	10/23/07	Monticelli John F. Jeannie Mar	687-105 Acacia Way	077-391-04
349	08/28/08	Moore, Robert E. Flossie F.	687-800 Juniper Way	077-232-29
350	10/25/07	Morales, Lloyd	686-735 Acacia Way	077-391-13
351	06/09/08	Moreno, Ruben L	687-605 Magnolia way	077-332-48
352	05/13/08	Morgan Frances Pearl & Robert L Jt.	687-950 Spruce Way	077-194-43
353	07/23/08	Morris, Norman R. & Verna J CP.	687-915 Hazel	077-234-42
354	06/27/08	Morrow, John C/S Delphine	686-860 Catalpa	077-374-22
355	03/17/08	Muller France F. & Nellie JT	687-400 Sycamore	077-311-30
356	05/07/10	Muller, Thomas J & Roberta L	Cypress Way	077-381-16
357	10/30/09	Muse, Frank/Kathle	The Strand/Spruce	077-184-25
358	07/28/08	Narramore, Gregory W/Joanne A JT	686-975 Hollywood Way	077-363-27
359	09/30/09	Neely, Tom/Becky/Neely, Darin/Yvette	Sycamore	077-304-57

	DATE OF HOOKUP	Spalding Residents Connected to the District Disposal System APPLICANT NAME	SERVICE ADDRESS	APN#
360	05/09/08	Neil Gerald L. & Janet J.I	687-675 Chunquepia	077-213-14
361	07/09/08	Neil, Gerald E./Janet E JT	Catalpa Way	077-271-07
362	10/07/08	Neil, Gerald E./Janet E JT	Catalpa	077-261-11
363	07/08/09	Neil, Gerald E./Janet E JT	Olive Way	077-134-02
364	08/07/09	Neil, Gerald E./Janet E JT	Maple Way	077-212-16
365	05/05/10	Neil, Gerald E./Janet E JT	The Strand/Oak Way	077-132-21
366	07/10/09	Nelson, John A/ Nancy L Flvoc & Nelson Family 20	Hollywood Way	077-251-27
367	11/26/07	Nelson, Kenneth A/Rhonda L J.T.	687-835 Cedar Way	077-283-18
368	06/18/09	Neville Donald O. & Jeanette C. 1994 Trust	688-065 Laurel Way	077-223-26
369	11/26/07	Newman, James Edgar/Newman, James Bruce	687-480 Spalding Rd.	077-304-61
370	11/30/07	Niles Family Trust %Niles, Ralph & Rita	Tamarack Way	077-164-16
371	08/12/08	Norris Family Trust % Norris Betty E. Trust	Hemlock	077-253-25
372	04/21/08	Novey, Joanne M/Lisa Marie JT	688-100 Oak Way	077-131-16
373	07/02/08	Noxon, Timothy E/Maribeth	687-835 Redwood Way	077-272-22
374	05/14/08	Nunes Family Trust	Hollywood Way	077-312-22
375	10/15/07	Odle, Curtis I/Denise C	687-550 Hollywood	077-312-33
376	06/24/08	Oliver Jerald A	Sycamore	077-403-15
377	05/10/10	Oliver, Jeffery W/Lena	Hemlock Way	077-411-18
378	06/01/10	Oliver, Jeffrey W & Lena D JT	Hemlock Way	077-411-19
379	08/21/08	Oliver, Phillip H & Ilean C. & James R. & Col.	Redwood Way	077-303-29
380	08/25/08	Olson Family Trust	687-905 Redwood Way	077-272-38
381	10/31/07	Osborn, Daniel D/Suzanne M	503-220 Mahogany Way	077-273-22
382	07/28/08	Panart, Augustine D Z/Panart Paula F TR	Juniper	077-321-12
383	11/02/07	Parker 1995 Family Trust	Delwood St.	077-381-11
384	09/28/08	Parker, Rex A/Denise A JT	686-830 Delwood Way	077-382-17
385	09/04/08	Parker, Rex a/Katherine Trust	686-830 Elm Way	077-383-38
386	10/23/09	Parker, Theodore/Patricia	686-835 Elm	077-382-15
387	10/23/09	Parker, Theodore/Patricia	686-725 Fir	077-383-40
388	09/11/08	Pastorino, Norman F./House, Monica J.T.	686-735 Lakeview	077-401-07
389	09/03/08	Patrick Fam TR	688-105 Linden Way	077-222-22
390	10/09/08	Patrick, Michael B	687-980 Mimosa	077-143-08
391	07/10/08	Pavese Family Trust	687-020 Delwood Way	077-386-21
392	03/27/08	Pearson, James C/Sandra L	Cherry/Mahogany	077-281-01
393	03/27/08	Pearson, James S/Sandra L Fmly TR	Chestnut/Strand	077-283-13
394	05/28/08	Peay Family Trust	688-085 Ivy Way	077-244-33
395	09/08/08	Pennington, David/Suzanne JT	687-940 Willow Way	077-173-17
396	11/23/07	Pindar, Lynn/Pindar, Lynnette	Lilac Way	077-153-14
397	07/04/08	Popperwell, W Trust	Madrone/Catalpa	077-377-19
398	04/29/08	Portz Family Revocable Trust	687-675 Hazel Way	077-234-37
399	03/03/08	Potter Caroleen C	503-025 Madrone Way	077-413-14
400	08/06/08	Potter, R. Craig/Jessie A	687-890 Hollywood	077-252-22
401	02/20/08	Potter, Timothy J/Lorene L	Redwood Way	077-272-46
402	11/18/09	Pratt, William H/Marjorie L TC ETAL	687-305 Hollywood Way	077-311-33
403	04/09/08	Purcell, A.W./Norma E	687-105 Acom	077-395-17
404	04/29/08	Rabo, Ronald R/Shirley E J.T.	687-607 Maple Way	077-331-48
405	10/28/09	Ramos, Daniel J/Kathryn S	687-740 Palmetto	077-192-38
406	09/27/08	Rasnic, John L	687-285 Linden Way	077-322-10
407	08/11/08	Ray Family Trust	686-790 Hollywood Way	077-411-17
408	09/08/08	Rebideaux, Randy L/Laurene J JT	686-925 Cherry Way	077-384-11
409	04/10/08	Rodas, Joseph m/H. Leota J.T.	687-785 Juniper Way	077-231-24
410	07/28/09	Rogers, Michael W.	687-120 Linden Way	077-343-20
411	08/18/08	Rohner, Alvin Thomas/Kay Louise Trust	687-000 Elm Way	077-387-17
412	09/05/08	Rohner, Alvin Thomas/Kay Louise Trust	686-950 Delwood Way	077-388-18
413	08/15/09	Rohner, Alvin Thomas/Kay Louise Trust	686-900 Acorn Way	077-393-15
414	05/12/09	Rohner, Kay L Revocable Trust	686-925 Elm Way	077-382-19
415	05/18/09	Rohner, Kay L Revocable Trust	687-005 Delwood	077-385-17
416	04/07/10	Roloff, Scott & Lilibeth	686-990 Chestnut Way	077-376-14
417	06/11/08	Rose, Ernest W/Nancy L J.T.	686-880 Bamboo Way	077-394-13
418	04/14/08	Ross, William N./Carol Leah	687-550 Lakeview Dr.	077-304-62
419	07/09/08	Rosselott Living Trust	687-805 Linden Way	077-232-38

Spalding Residents Connected to the District Disposal System				
	DATE OF HOOKUP	APPLICANT NAME	SERVICE ADDRESS	APN#
420	10/01/09	Rounsaville, Joseph W/Elna Mae Trust	687-580 Cherry Way	077-293-11
421	06/09/10	Rudluff, Caroline M Trust c/o Patricia Rudluff-Jennii	Almond Way	077-174-17
422	06/09/10	Rudluff, Caroline M Trust c/o Patricia Rudluff-Jennii	Maple Way	077-201-04
423	06/15/09	Rynerson, Roger Clinlon	687-785 Ivy Way	077-334-16
424	11/16/07	Sain, David P	687-200 Hickory Way	077-353-26
425	07/18/08	Saulisberry TTEE Fam TR/Saulisberry 1992 Fam	687-770 Maple Way	077-212-20
426	10/24/07	Schmidl, Marlene	687-785 Hickory Way	077-253-30
427	07/12/08	Scholfield, Robert E/Scholfield, Ryan E JT	687-765 Chinquepin Way	077-213-16
428	07/27/10	Schumacher, Armin/Bock Christina JT	687-185 Spalding Rd.	077-361-22
429	12/12/07	Scott, Vicky I	680-470 Hollywood Way	077-312-31
430	05/19/09	Sealers, Marion Kathleen	687-365 Maple Way	077-331-50
431	10/28/09	Sebastiani, Piero ETAL Revocable Trust	Redwood Way	077-273-36
432	10/28/09	Sebastiani, Piero ETAL Revocable Trust	Lakeview	077-273-37
433	10/06/08	Seifert, Kenneth J/Frances B CP	686-865 Redwood Way	077-374-25
434	04/21/09	Shaler, Paul W/Virginia S.	687-630 Sycamore	077-311-19
435	08/22/08	Shaffer, Datha/Shafier/Sandra J JT	687-900 Linden Way	077-233-39
436	09/22/08	Shanks, Calrence M/C Lillian Living Trust	687-850 Hollywood Way	077-252-33
437	08/08/08	Shult, Edward H/Margaret F	688-030 Willow Way	077-163-15
438	06/02/08	Sibley William Robert & Joan Frances JT	Madrone/Bamboo	077-397-27
439	03/01/08	Sickles, Myron A/Elaine C	687-295 Maple Way	077-331-26
440	03/16/10	Siders, Kathryn D	687-670 Cedar Way	077-271-20
441	09/05/09	Sievers, William/Jeanette	687-155 Ivy Way	077-353-25
442	03/09/09	Silva, Eugene D	687-530 Hollywood Way	077-312-14
443	05/15/08	Simon, Paul R/Morene L TR	687-780 Tamarack Way	077-174-31
444	04/01/08	Simon, Robert M/Rita M	687-020 Juniper Way	077-341-07
445	09/09/08	Smalley, Robert J Jr/Smalley Marla J. Trust	687-015 Elm Way	077-386-17
446	04/17/08	Smith Living Trust %Smith, Lowell & Joyce	687-595 Maple Way	077-331-47
447	10/06/08	Smith Stanley B & Martin, Sally	686-995 Elm Way	077-386-16
448	07/29/08	Smith, Brenda Jean/Janus, Mary Kathleen	687-095 Delwood Way	077-385-10
449	09/03/09	Smith, Darlene N ETAL	Willow Way	077-172-01
450	08/05/08	Smith, Daryl E/Margie J/Smith, Robert J JT	687-020 Cypress Way	077-385-16
451	06/09/08	Smith, Gregg S/Ordle, Tara Lelsa TC	Bamboo Way	077-396-10
452	12/03/09	Smith, John/Alice 1995 Liv Tr	Hickory Way	077-253-27
453	09/12/08	Smith, Robert J	688-995 Bamboo	077-396-12
454	07/28/08	Smith, Thomas Lee/Paula Kay Joint Living Trust	686-985 Cypress Way	077-397-17
455	09/02/08	Smith, Vicky L/Smith, Robert J JT	687-090 Cypress Way	077-385-11
456	06/13/08	Snearly, Bonnie J	687-980 Cedar Way	077-271-12
457	04/28/08	Snyder, James V/Lorretta C	686-955 Cherry Way	077-388-20
458	02/15/08	Snyder, Norman E/Fleckenstein Trudy	687-815 Chestnut Way	077-282-12
459	06/24/08	Soderlund, William T/Joann A JR	686-990 Cherry Way	077-375-06
460	03/05/08	Solis, Jesus H/Rose Marie	387-320 Hemlock Way	077-313-17
461	11/05/07	Solis, Raymond R/Kristy P CP	680-970 Cherry Way	077-375-12
462	11/19/07	Sorensen, Lynn Richard/Janice Rae HWJT	Hemlock Way	077-313-10
463	09/05/08	Sorenson, Keld/Jeanne Trust	501-955 The Strand	077-143-12
464	06/04/09	Southern Sierra Const P/S Plan	687-305 Hazel	077-324-33
465	03/01/08	Spalding CSD	502-907 Mahogany Way	077-310-02 077-320-02
466	10/23/07	Spalding Marina	The Strand	
467	09/05/08	Spediacci, Clifford K/Shirley A JT	687-690 Juniper Way	077-232-45
468	09/25/08	Spencer, Reubennette 1987 TR	Linden Way	077-323-44
469	05/21/08	Stanley, Vernon F/Theda TR	Magnolia Way/Division Wa	077-217-03
470	05/21/08	Stanley, Vernon F/Theda TR	Magnolia Way	077-217-05
471	05/21/08	Stanley, Vernon F/Theda TR	687-885 Chinquepin Way	077-217-06
472	09/21/09	Stebbins, Loretta	687-925 Linden Way	077-232-43
473	12/03/07	Steffens, John R/Barbara/Fogal, Russell E/Th	687-300 Laurel Way	077-324-34
474	10/29/08	Steinocher, Daniel G/Linda L JT	687-830 Cedar Way	077-271-14
475	12/15/09	Steinocher, Daniel G/Linda L JT	687-920 Hickory Way	077-254-27
476	12/19/07	Stelzriede, Michael/Cathryn C JT	Ridge Way	077-151-22
477	11/08/07	Stent, Bob/Sandra JR/Weddeli, Jeanette R.	Spalding Rd.	077-303-33
478	05/28/08	Stephens Family Trust	Tamarack Way	077-163-16
479	03/18/10	Stimmell, James B.	686-770 Cypress Way	077-381-14

	DATE OF HOOKUP	Spalding Residents Connected to the District Disposal System APPLICANT NAME	SERVICE ADDRESS	APN#
480	09/15/08	Stout, Clarence&Audrey	Maple Way	077-282-14
481	12/12/07	Strickland, Robert & David JT	688-030 Tulip Way	077-161-14
482	04/18/08	Suchan, Alex/Lois	686-820 Fir Way	077-384-14
483	06/02/08	Sullivan Family Revoc Trust	687-990 Walnut Way	077-162-19
484	04/29/08	Sullivan, William A/Joanne M J.T.	387-290 Maple Way	077-332-49
485	02/19/10	Sunilte, Barbara	Bamboo Way	077-394-20
486	08/25/09	Swager, William A & Patricia A CPRS	387-150 Hemlock Way	077-352-24
487	10/20/08	Taylor, James R/Shirley L JT	Delwood	077-386-20
488	10/16/09	Taylor, Robert S. Rev Livning TR	687-025 Catalpa	077-377-17
489	09/04/08	Telraut Family 2000 Trust	Juniper/Linden	077-322-14
490	05/21/08	Thomas, Theodore J/Diana M CPRS	688-085 Larch Way	077-132-15
491	10/29/09	Thomas, Trevor P.Laurelta R	687-075 Hemlock	077-351-21
492	07/14/08	Thompson Family Trust ETAL	688-030 Tupelo Way	077-142-16
493	05/10/10	Tobin, Louis J/Peacock, Betsy A HWJT	687-700 Orchard Way	077-191-27
494	05/01/08	Todd, Clifford E Jr	Maple Way	077-331-51
495	11/02/07	Todd, Dennis/Andrea - Reconnected 4/11/11	Cedar Way	077-271-15
496	04/22/08	Togni, Arnold/Dolly TR	698-105 Ivy Way	077-221-15
497	07/23/08	Togni, Arnold/Dolly TR	688-105 Ivy Way	077-244-29
498	06/11/08	Tomasini Family Trust	687-895 Hollywood Way	077-251-33
499	03/15/08	Torchin, Ali Chan B & Reineide M	687-430 Hollywood Way	077-312-32
500	05/14/09	Tracy, Richard T/Sheri L JT	Hollywood/Hemlock	077-351-04
501	07/18/08	Traver, Jess S III/Frances D JT	Laurel Way	077-323-46
502	04/03/08	Turek, Raymond W/Lois M JT	687-040 Cherry Way	077-375-14
503	03/06/08	Tumer, Lucy D	686-835 Cherry Way	077-384-17
504	04/02/08	Van Tassel Fam Trust	687-130 Spalding Rd.	077-362-37
505	05/15/08	Vaughn, Lee/Leni A HW/Calilan, James D JT	687-625 Spalding Rd.	077-303-30
506	07/13/09	Velez, Salvador		
507	07/21/09	Sanchez, Audon Casas/Irene Garat JR ETAL	Hollywood Way	077-403-27
508	06/12/09	Verrenzia Family Trust	687-585 Cherry Way	077-292-07
509	06/12/09	Vineyard Living Trust	687-745 Lakeview Dr.	077-273-27
509	07/31/09	Walker, Evan J/Walker Jerry K TC	Juniper/Ivy/Pinion	077-354-26
510	07/16/09	Walker, Rebecca	686-760 Catalpa	077-374-02
511	08/27/09	Walker, Rudolph Soyka/Rebecca JT	686-760 Catalpa Way	077-274-26
512	09/29/09	Walker, Rudolph Soyka/Rebecca JT	503-150 Mahogany Way	077-274-25
513	10/09/09	Walsh, Paul C/Janice A JT	Almond Way	077-151-21
514	09/12/09	Walsh, Paul Clark ETAL	688-025 Almond Way	077-151-18
515	10/23/07	Walton Family Trust	688-010 Tamarack Way	077-164-22
516	11/07/07	Ward, Carlos V/Grace G 1996 Revoc Living Trust A	687-635 Sycamore Way	077-304-54
517	07/01/08	Ward, Carlos V/Grace G Rev Liv TR	686-955 Redwood Way	077-378-27
518	07/03/08	Ward, Carlos V/Grace G Revocable Living Trust	686-955 Redwood Way	077-378-28
519	04/15/08	Ward, Kenneth V/Loma JT	Sycamore	077-304-55
520	12/03/07	Watson, William J Jr./Sonjo M CP	687-055 Cedar Way	077-376-23
521	12/06/07	Watts, James C/Lorene J JT	503-155 Madrone Way	077-411-16
522	05/09/08	Watts, James C/Lorene T JT	688-125 Spruce Way	077-183-16
523	11/14/07	Weaver Family Trust	687-915 IvyWay	077-254-24
524	04/18/09	Webb Living Tr	Chestnut Way	077-294-14
525	04/22/09	Webb Living Trust	687-745 Maple Way	077-211-16
526	08/27/09	Weisinger, Brian J/Patricia L JT	687-295 Magnolia	077-332-36
527	10/20/08	Wells Trust	689-905 Hemlock	077-252-34
528	07/30/09	Wells Trust	687-170 Linden	077-343-21
529	06/18/09	Westfall Living Trust ETAL	Cedar/Madrone	077-373-14
530	05/28/08	Westlake, Gary R ETAL	Cedar Way	077-283-22
531	11/19/07	White, C.W./Joyce M JT	687-760 Lakeview Dr.	077-274-28
532	08/15/08	White, Earl Richard Jr/Karron S JT	686-840 Sycamore	077-403-19
533	05/19/08	White, Frank R 1991 Trust	501-275 The Strand	077-133-07
534	11/02/07	Whitmer, Rudy/Louise	687-775 Cedar Way	077-283-23
535	05/28/08	Wilder, Arvenna	687-700 Ivy Way	077-231-03
536	11/14/07	Williams Family Trust	686-950 Spalding Rd.	077-362-14
537	04/28/08	Williams, Cal R/Catherine S	687-020 Fir Way	077-388-12
538	06/11/09	Williams, Cal R/Catherine S	687-060 Acacia Way	077-395-20
539	10/02/09	Williams, Richard L & Patricia C. HWJT	687-700 Laurel Way	077-234-43

	DATE OF HOOKUP	Spalding Residents Connected to the District Disposal System APPLICANT NAME	SERVICE ADDRESS	APN#
540	08/31/09	Williams, Robert N	Dalwood	077-381-19
541	12/13/07	Williams, Robert V/Viola Mae	687-445 Hemlock Way	077-312-28
542	08/31/09	Williams, Robert V/Viola Mae	686-770 Dalwood	077-382-16
543	08/17/09	Williams, Robert/Blackwell, Viola Mae	Hazel Way	077-324-43
544	08/17/09	Williams, Robert/Blackwell, Viola Mae	Chesnut/Madrone	077-376-20
545	09/22/08	Williams, Robert/Blackwell, Viola Mae	Hemlock Way	077-313-08
546	09/18/09	Williamson Larry R	687-565 Catalpa Way	077-301-26
547	10/28/09	Williford, George Calvin Trust	686-785 Fir Way	077-383-36
548	05/06/09	Wilms, Dale/Linda CP	687-920 Lakeview Dr.	077-274-16
549	07/22/09	Wilson, Donald Dean Liv TR	Redwood Way	077-272-27
550	08/20/08	Wilson, Jack Trust	687-625 Catalpa Way	077-302-19
551	09/22/09	Wilson, Kenneth/Valeri E	686-830 Hemlock Way	077-412-17
552	08/20/08	Wilson, Rollans B	503-435 Mahogany Way	077-302-18
553	06/11/08	Winingar Family 1983 Trust	686-830 Elm Way	077-383-34
554	06/01/09	Witt, Richard E/Nola A JT	687-740 Orchard Way	077-191-24
555	05/14/08	Wong, Fay/Bonnie E/Taber, Edward/Judy	Lakeview Dr.	077-273-35
556	08/22/08	Woodward, Robert/Maria 1989 Trust	687-700 Hickory Way	077-254-21
557	06/23/08	Yee, Gary R/Michael G	686-785 Hemlock Way	077-412-22
558	06/24/08	Yee, Michael Gregg	686-785 Hickory	077-412-21
559	11/06/07	Yolo, Duke/Terri JT ETAL C/O Cristine, Barry R.	Acorn Way	077-393-16
560	07/24/09	Young Family Trust	688-010 Hickory Way	077-244-22
561	07/23/08	Young, Vera L	688-055 Lakeview Rd.	077-263-10
562	10/27/08	Younie, Leslie I Jr/Sheri M ETAL TC	687-045 Redwood Way	077-378-20
563	08/07/08	Yuill, Edward G/Deborah L HW	Tupelo	077-141-14
564	08/07/09	Yuill, Edward G/Deborah L HW	Tupelo	077-142-13
565	05/18/10	Zuccato, Michael W/Linda J Rev Trust	687-650 Cherry Way	077-293-10
566	12/02/08	Zunino, Michael A/Sheree A Family Trust	Lilac Way	077-152-23

ATTACHMENT D

**Technical Report Form
No On-site Waste Disposal Certification**

Property Owner Name (print)	
Assessor's Parcel Number	
Street Address	

Please list any improvements to the above-listed property, including but not limited to, any structures, wells, utilities, or septic tanks located on the property. Use additional paper if necessary.

Improvements:

For the purpose of verifying the absence of on-site waste disposal systems, the Discharger must provide written consent to allow Water Board staff to enter the Discharger's property. Please complete the following sections.

Permission to allow inspection.

I, _____ (print property owner's name), do hereby provide consent to allow Water Board staff to enter my property for the purpose of verifying the absence of on-site waste disposal systems.

Would you like to be present during the inspection?

I, _____ (print property owner's name),

- Would like to be present during the inspection
- Would like someone other than myself to be present during the inspection
- Do not wish to be present during the inspection

If you would like to be present during the inspection, provide your contact information or the contact information of the person you wish to be present during the inspection.

Name of person to be present	
Phone number	
Mailing address	
Cell phone number (if available)	
E-Mail Address (if available)	

I hereby certify that the above information is true and correct. I understand that failure to provide complete and accurate information may result in the imposition of administrative or judicial civil liability.

Signature

Date

ATTACHMENT E

**Fact Sheet – Requirements for Submitting Technical Reports
Under Section 13267 of the California Water Code**

October 8, 2008

What does it mean when the regional water board requires a technical report?

Section 13267¹ of the California Water Code provides that "...the regional board may require that any person who has discharged, discharges, or who is suspected of having discharged...waste that could affect the quality of waters...shall furnish, under penalty of perjury, technical or monitoring program reports which the regional board requires".

This requirement for a technical report seems to mean that I am guilty of something, or at least responsible for cleaning something up. What if that is not so?

Providing the required information in a technical report is not an admission of guilt or responsibility. However, the information provided can be used by the regional water board to clarify whether a given party has responsibility.

Are there limits to what the regional water board can ask for?

Yes. The information required must relate to an actual or suspected discharge of waste, and the burden of compliance must bear a reasonable relationship to the need for the report and the benefits obtained. The regional water board is required to explain the reasons for its request.

What if I can provide the information, but not by the date specified?

A time extension can be given for good cause. Your request should be submitted in writing, giving reasons. A request for a time extension should be made as soon as it is apparent that additional time will be needed and preferably before the due date for the information.

Are there penalties if I don't comply?

Depending on the situation, the regional water board can impose a fine of up to \$1,000 per day, and a court can impose fines of up to \$25,000 per day as well as criminal penalties. A person who submits false information is guilty of a misdemeanor and may be fined as well.

What if I disagree with the 13267 requirement and the regional water board staff will not change the requirement and/or date to comply?

Any person aggrieved by this action of the Regional Water Board may petition the State Water Board to review the action in accordance with Water Code section 13320 and California Code of Regulations, title 23, sections 2050 and following. The State Water Board must receive the petition by 5:00 p.m., 30 days after the date of the Order, except that if the thirtieth day following the date of this Order falls on a Saturday, Sunday, or state holiday, the petition must be received by the State Water Board by 5:00 p.m. on the next business day. Copies of the law and regulations applicable to filing petitions may be found on the Internet at:

http://www.waterboards.ca.gov/public_notices/petitions/water_quality or will be provided upon request.

Claim of Copyright or other Protection

Any and all reports and other documents submitted to the Regional Board pursuant to this request will need to be copied for some or all of the following reasons: 1) normal internal use of the document, including staff copies, record copies, copies for Board members and agenda packets, 2) any further proceedings of the Regional Board and the State Water Resources Control Board, 3) any court proceeding that may involve the document, and 4) any copies requested by members of the public pursuant to the Public Records Act or other legal proceeding.

If the discharger or its contractor claims any copyright or other protection, the submittal must include a notice, and the notice will accompany all documents copied for the reasons stated above. If copyright protection for a submitted document is claimed, failure to expressly grant permission for the copying stated above will render the document unusable for the Regional Board's purposes, and will result in the document being returned to the discharger as if the task had not been completed.

If I have more questions, who do I ask?

Requirements for technical reports normally indicate the name, telephone number, and email address of the regional water board staff person involved at the end of the letter.

¹ All code sections referenced herein can be found by going to www.leginfo.ca.gov. Copies of the regulations cited are available from the Regional Board upon request.