

**ORDER No. R1-2017-0013
WDID No. 1B830170SON**

**WASTE DISCHARGE REQUIREMENTS
AND
WATER RECYCLING REQUIRMENTS
for
VIRGINIA DARE WINERY
WASTEWATER TREATMENT FACILITY

SONOMA COUNTY**

The following Discharger is subject to waste discharge requirements and water recycling requirements as set forth in this Order:

Table 1. Discharger Information

Discharger	Virginia Dare Winery
Name of Facility	Virginia Dare Winery Wastewater Treatment Facility
Facility Address	22281 Chianti Road
	Geyserville, CA 95441

The discharge by Virginia Dare Winery from the discharge point identified below is subject to waste discharge requirements and water recycling requirements as set forth in this Order:

Table 2. Discharge Location

Discharge Point	Waste Description	Discharge Point Latitude	Discharge Point Longitude	Receiving Water
001	Treated Wastewater, Process Solids, and Treatment Pond Sludge	38° 43' 10.7"	-122° 55' 3.9"	Groundwater

IT IS HEREBY ORDERED, that Order No. 96-056 is rescinded upon the effective date of this Order except for enforcement purposes, and, in order to meet the provisions contained in division 7 of the Water Code (commencing with section 13000) and regulations adopted thereunder, the Discharger shall comply with the requirements in this Order.

I. FACILITY INFORMATION

The following Discharger is subject to waste discharge requirements and water recycling requirements as set forth in this Order:

Table 3. Facility Information

Discharger	Virginia Dare Winery
Name of Facility	Virginia Dare Winery Wastewater Treatment Facility
Facility Address	22281 Chianti Road
	Geyserville, CA
	Sonoma County
Facility Contact, Title, and Phone	Sam Cropper, VP Winery Operations, (707) 217-5346
Mailing Address	300 Via Archimedes, Geyserville, CA 95441
Type of Facility	Industrial and Domestic Treatment Works
Facility Wastewater Flows	Domestic Flow: 10,000 gallons per day (gpd) Design Peak; and 8,040 gpd Projected Peak. Process Flow: 30,250 gpd Annual Average; 60,370 gpd Projected Peak; 24,300 gpd Non-Harvest Average; and 48,300 gpd Harvest Average. Combined Flow: 68,410 gpd Projected Peak; 70,370 gpd Peak Design

II. FINDINGS

The California Regional Water Quality Control Board, North Coast Region (hereinafter Regional Water Board), finds:

- A. Basis and Rationale for Requirements.** The Regional Water Board developed the requirements in this Order based on information submitted as part of the Discharger's application for permit renewal, monitoring data submitted during the term of the Discharger's previous Order, and other available information. Attachments A, B, C and D are hereby incorporated into this Order.
- B. Background and Facility Description.** The Virginia Dare Winery (hereinafter Discharger) is currently discharging pursuant to Waste Discharge Requirements Order No. 96-056 (Order No. 96-056), adopted by the Regional Water Board on August 22, 1996. At the time of adoption of Order No. 96-056 the winery was named Geyserville Peak Winery and was owned and operated by GPV Inc. and Trione Wines Inc. Francis Coppola Winery LLC purchased the winery in 2013 and took over operations in 2014. The winery is currently operating as Virginia Dare Winery. The Regional Water Board received a Report of Waste Discharge (ROWD) on January 29, 2016 from the Discharger. The ROWD was submitted for the purpose of revising Waste Discharge Requirements Order No. 96-056 to reflect the new ownership, new winery name and construction of a new restaurant at the winery complex. Additional information was submitted on October 27, 2016, and April 2, 2017, to make the ROWD complete. These revised waste discharge requirements and water recycling requirements are for the discharge and reuse of treated domestic and process

wastewater, process solids and process treatment pond sludge from the existing Virginia Dare Winery Wastewater Treatment Facility (hereinafter WWTF or Facility).

The Facility is owned and operated by the Discharger and serves the Virginia Dare Winery complex located at 22281 Chianti Road in Geyserville, Sonoma County. The Virginia Dare Winery complex includes a winery, tasting room, restaurant, vineyards, pastureland and the WWTF. Domestic sewage and winery industrial process wastewater generated at the complex are separately collected and conveyed to the WWTF for treatment. The domestic wastewater collection system includes a grease interceptor and a solids separation tank. The process wastewater collection system includes floor drain screens and a rotary drum screen at the headworks of the WWTF.

The domestic wastewater treatment system is designed to treat a maximum peak flow of 10,000 gpd. The projected peak domestic flow rate is 8,040 gpd during harvest when the maximum number of employees are present and the tasting room and restaurant are at maximum capacity. Effluent from the domestic waste solids separation tank is treated via extended aeration, filtration and chlorine disinfection. Disinfection takes place in a 2,500-gallon aqueous chlorine contact tank, following sand filtration. The disinfected effluent is discharged to Sump C1 where it is combined with the screened process wastewater.

Combined wastewater from Sump C1 is pumped to the aerated process wastewater treatment ponds for further treatment. The initial pond in the series, Pond 1, has a 3.0 million gallon capacity and is lined with a single layer synthetic high density polyethylene (HDPE) liner. The second pond, Pond 2, has a 3.3 million gallon capacity and is lined with a soil cement liner. Both Ponds are equipped with surface mechanical aerators that provide oxygen and mixing for the aerobic treatment process. Wastewater effluent from Pond 1 overflows to Pond 2 via a transfer pipe. Pond 1 acts as the primary treatment pond while Pond 2 is used for supplemental treatment and storage prior to irrigation reuse. The aerated pond system is sized to treat the combined projected peak wastewater flow of 68,410 gpd.

The treated pond effluent is applied as recycled wastewater to a designated Land Application Area (LAA). The 63.75 acre LAA is comprised of two areas owned by the Discharger: one area east of Highway 101 serving as pastureland and vineyards, and a second area west of Highway 101 that includes vineyards, and hillside pastureland and landscaping. Recycled water will primarily be used for vineyard irrigation. Other uses may also include irrigation of pasture and landscaping and frost protection. The LAA is identified on Attachment B of this Order. A Title 22 Engineering Report for the recycled water use was approved by the California Division of Drinking Water on August 29, 2017.

Pomace generated during the winemaking process is composted on-site for reuse as a soil amendment. Sludge removed from the process wastewater treatment ponds may be applied to land as a soil amendment in the LAA. Solid waste removed from

domestic wastewater will be disposed of in accordance with applicable federal and State regulations.

Attachment A provides a Facility vicinity map. Attachment B provides an overall layout of the Virginia Dare Winery complex including the location of the Facility and the LLA. Attachment C provides a flow schematic of the Facility.

- C. Legal Authorities.** This Order serves as Waste Discharge Requirements (WDRs) for discharges to land issued pursuant to section 13263 of the California Water Code (Water Code).
- D. Basin Plan.** As required by Water Code section 13263(a), these WDRs are crafted to implement the Water Quality Control Plan for the North Coast Region (Basin Plan), and in so doing, the Regional Water Board has taken into consideration the beneficial uses to be protected, the water quality objectives (both numeric and narrative) reasonably required for that purpose, other (including previous) waste discharges, the need to prevent nuisance, and the provisions of Water Code section 13241. The Basin Plan contains implementation plans and policies for protecting waters of the basin. The Basin Plan implements State Water Resources Control Board (State Water Board) Resolution No. 88-63, which established state policy that all waters, with certain exceptions, should be considered suitable or potentially suitable for municipal or domestic supply.

Thus, beneficial uses applicable to area groundwater to be protected are as follows: municipal and domestic supply (MUN), agricultural water supply (AGR), industrial service supply (IND), industrial process supply (PRO), freshwater replenishment (FRSH), Native American culture (CUL), and aquaculture (AQUA).

The beneficial uses applicable to the Geyserville Hydrologic Subarea within the Middle Russian River Hydrologic Area of the Russian River Hydrologic Unit to be protected are as follows: municipal and domestic supply (MUN), agricultural water supply (AGR), industrial service supply (IND), industrial process supply (PRO), groundwater recharge (GWR), freshwater replenishment (FRSH), navigation (NAV), hydropower generation (POW), water contact recreation (REC-1), non-contact water recreation (REC-2), commercial and sport fishing (COMM), warm freshwater habitat (WARM), cold freshwater habitat (COLD), wildlife habitat (WILD), rare, threatened, or endangered species (RARE), migration of aquatic organisms (MIGR), spawning, reproduction, and/or early development (SPWN), shellfish harvesting (SHELL), and aquaculture (AQUA).

- E. California Water Code.** The control of waste discharge is established through effluent limitations and other requirements in waste discharge requirements. Water Code section 13260 establishes regulations associated with the prescription of waste discharge requirements and Water Code Chapter 7 (Water Code § 13500 et seq)

establishes regulations associated with the prescription of reclamation requirements. "Waste" is defined in Water Code section 13050 subdivision (d).

- F. Title 27 Exemption.** The wastewater treatment, storage, and disposal activities described in this Order are exempt from the requirements of Consolidated Regulations for Treatment, Storage, Processing, or Disposal of Solid Waste in California Code of Regulations, title 27, division 2, Subdivision 1, section 20005, et seq. The activities are exempt from the requirements of title 27 so long as the activity meets, and continues to meet, all preconditions listed below. (Cal. Code Regs., tit. 27, § 20090.)
1. Sewage—Discharges of domestic sewage or treated effluent which are regulated by WDRs issued pursuant to California Code of Regulations, title 23, division 3, chapter 9, or for which WDRs have been waived, and which are consistent with applicable water quality objectives, and treatment or storage facilities associated with municipal wastewater treatment plants, provided that residual sludge or solid waste from wastewater treatment facilities shall be discharged only in accordance with the applicable State Water Board promulgated provisions of this division. (Cal. Code Regs., tit. 27, § 20090(a).)
 2. Wastewater—Discharges of wastewater to land, including but not limited to evaporation ponds, percolation ponds, or subsurface leach fields if the following conditions are met:
 - a. the applicable Regional Water Board has issued WDRs, reclamation requirements, or waived such issuance;
 - b. the discharge is in compliance with the applicable water quality control plan; and
 - c. the wastewater does not need to be managed according to, California Code of Regulations, title 22, division 4.5, chapter 11, as a hazardous waste. (Cal. Code Regs., tit. 27, § 20090(b).)
 3. Underground Injection—Discharges of waste to wells by injection pursuant to the Underground Injection Control Program established by the USEPA under the Safe Drinking Water Act, 42 US Code section 300(h), see Code of Federal Regulations title 40, Parts 144 to 146. (Cal. Code Regs., tit. 27, § 20090(c).)
 4. Soil Amendments—Use of nonhazardous decomposable waste as a soil amendment pursuant to applicable best management practices, provided that Regional Water Boards may issue waste discharge or reclamation requirements for such use. (Cal. Code Regs., tit. 27, § 20090(f).)
 5. Fully Enclosed Units—Waste treatment in fully enclosed facilities, such as tanks, or in concrete lined facilities of limited areal extent, such as oil water separators designed, constructed, and operated according to American Petroleum Institute specifications. (Cal. Code Regs., tit. 27, § 20090(i).)

G. Antidegradation Policy. State Water Board Resolution No. 68-16, the Statement of Policy with Respect to Maintaining High Quality Waters of California (hereafter the Antidegradation Policy) requires the disposal of waste be regulated to achieve the highest water quality consistent with the maximum benefit to the people of the state. The quality of some waters is higher than established by adopted policies and higher quality of water shall be maintained to the maximum extent possible consistent with the Antidegradation Policy. The Antidegradation Policy requires the following:

1. Higher quality water will be maintained until it has been demonstrated to the state that any change will be consistent with the maximum benefit to the people of the state, will not unreasonably affect present and anticipated beneficial use of the water, and will not result in water quality less than prescribed in the policies.
2. Any activity that produces a waste and discharges to existing high quality waters will be required to meet Waste Discharge Requirements that will result in the best practicable treatment or control of the discharge necessary to assure pollution or nuisance will not occur, and the highest water quality consistent with the maximum benefit to the people of the state will be maintained.

This Order will offer reasonable protection of beneficial uses of groundwater with no discharge to surface water. This Order is consistent with Resolution No. 68-16 because it will result in a net benefit to water quality by improving and monitoring existing conditions currently impacted by this activity. The Order is designed to protect beneficial uses and does not promote or authorize the permanent lowering of high quality waters. This Order contains discharge prohibitions and receiving water limitations that are expected to maintain or improve water quality by addressing nutrients, bacteria and other pollutants in the waste streams.

Attachment D of this Order requires routine effluent monitoring for coliform bacteria and nitrate to ensure that the best practicable treatment or control is effective, water quality objectives will not be exceeded, and confirms that water quality will be maintained at a level that is protective of beneficial uses.

This Order is consistent with the maximum benefit to people of the State because: (i) it allows continued operation of an existing wastewater treatment system; and (ii) it requires the monitoring of effluent and implementation of best management practices (BMPs) to ensure protection of groundwater and surface water beneficial uses.

H. Recycled Water Policy. On February 3, 2009, the State Water Board adopted the Recycled Water Policy (State Water Board Resolution No. 2009-0011) for the purpose of increasing the use of recycled water from municipal wastewater sources in a manner that implements state and federal water quality laws. The Recycled Water Policy became effective on May 14, 2009. The Recycled Water Policy provides direction to the regional water boards regarding the appropriate criteria to be used in issuing permits for recycled water projects and describes permitting criteria intended

to streamline and provide consistency for the permitting of the vast majority of recycled water projects. Pertinent provisions and requirements of the Policy have been incorporated into this Order to address conditions specific to the Discharger's plan to implement water recycling.

The Recycled Water Policy recognizes the fact that some groundwater basins in the state contain salts and nutrients that exceeded or threaten to exceed water quality objectives in the applicable Basin Plans, and that not all Basin Plans include adequate implementation procedures for achieving or ensuring compliance with the water quality objectives for salt or nutrients. The Recycled water Policy further recognizes that these conditions can be caused by natural soils/conditions, discharges of waste, irrigation using surface water, groundwater or recycled water, and water supply augmentation using surface or recycled water, and that regulation of recycled water alone will not address these conditions. It is the intent of the Recycled Water Policy that salts and nutrients from all sources be managed on a basin-wide or watershed-wide basis in a manner that ensures attainment of water quality objectives and protection of beneficial uses. The Recycled Water Policy finds that the appropriate way to address salt and nutrient issues is through the development of regional or subregional Salt and Nutrient Management Plans (SNMPs) rather than through imposing requirements solely on individual recycled water projects. This Order is consistent with the requirements of the Recycled Water Policy to implement a SNMP.

- I. **Endangered Species Act.** This Order does not authorize any act that results in the taking of a threatened or endangered species or any act that is now prohibited, or becomes prohibited in the future, under the California Endangered Species Act (Fish & Game Code § 2050 to 2097). The Discharger is responsible for meeting all requirements of the applicable Endangered Species Act.
- J. **Monitoring and Reporting.** Water Code section 13267 authorizes the Regional Water Board to require technical and monitoring reports. The Monitoring and Reporting Program (MRP) establishes monitoring and reporting requirements to implement State requirements, and ensure protection of water quality. As such, the burden, including costs, of this monitoring bears a reasonable relationship to the need for that information and the benefits to be obtained from that information. The MRP is provided in Attachment D.
- K. **California Environmental Quality Act (CEQA).** The discharges covered under this permit are exempt pursuant to California Code of Regulations title 14, section 15301 (ongoing or existing projects). The Facility is an existing wastewater treatment facility with no expansion of use or wastewater flow beyond existing design capacity.
- L. **Notification of Interested Parties.** The Regional Water Board has notified the Discharger and interested agencies and persons of its intent to prescribe Waste Discharge Requirements for the discharge and has provided them with an opportunity to submit their written comments and recommendations.

M. Consideration of Public Comment. The Regional Water Board, in a public meeting, heard and considered all comments pertaining to the discharge.

III. DISCHARGE PROHIBITIONS

- A.** Discharge of any waste not specifically regulated by this Order is prohibited.
- B.** Discharge of waste to the Russian River or any tributary thereof is prohibited.
- C.** Discharge or reuse of untreated or partially treated waste (receiving a lower level of treatment than described in Finding II.B) from the collection, treatment, reclamation, storage or disposal system is prohibited.
- D.** The average daily flow of domestic wastewater through the Facility shall not exceed 10,000 gpd. Compliance with this prohibition shall be determined as defined in section XII.B of this Order.
- E.** The average daily flow of process wastewater through the Facility shall not exceed 60,370 gpd. Compliance with this prohibition shall be determined as defined in section XII.B of this Order.
- F.** Discharge of waste to land or use of recycled water in an area that is not identified as being part of the LAA is prohibited.
- G.** The discharge of waste to land and use of recycled water is prohibited during the following times:
 - 1.** Within 24 hours of a forecasted precipitation event with a greater than 50-percent probability of occurring;
 - 2.** During a precipitation event;
 - 3.** Within 24 hours after a precipitation event of ½ inch or more precipitation that results in a storm water discharge from the land application area; and
 - 4.** When the land application area surface soil is saturated.
- H.** Creation of pollution, contamination, or nuisance as defined by section 13050 of the Water Code is prohibited.
- I.** Discharges of waste that violate any narrative or numerical water quality objective that are not authorized by waste discharge requirements or other order or action by the Regional or State Water Board are prohibited.
- J.** No waste constituent shall be released or discharged, or placed where it will be released or discharged in a concentration or in a mass that causes violation of the Basin Plan's water quality objectives for groundwater.

IV. WATER RECYCLING LIMITATIONS – DOMESTIC WASTE

A. Total Coliform Bacteria. Disinfected secondary effluent, discharged to Sump C1 and sampled at Monitoring Location REC-001, shall not contain concentrations of total coliform bacteria exceeding the following concentrations:

1. The median concentrations shall not exceed a most probable number (MPN) of 2.2 per 100 m L, using the bacteriological results of the last 7 days for which analyses have been completed; and
2. The total number shall not exceed an MPN of 23 per 100 mL in more than one sample in any 30-day period.

V. WATER RECYCLING REQUIREMENTS - DOMESTIC WASTE

A. Secondary Chlorine Disinfection System.

1. The secondary chlorine disinfection system shall be operated in a manner that ensures effective pathogen reduction in compliance with coliform effluent limitations identified in Water Recycling Limitation IV.A.1 and IV.A.2 of this Order.
2. In the event of a chlorination system failure the Discharge shall cease transfers of inadequately disinfected effluent to Sump C1. Any inadequately disinfected effluent shall be diverted to an upstream domestic waste treatment process unit for further treatment or to emergency storage as soon as the Discharger is aware of the problem. The Discharger shall provide notification of non-compliance with disinfection process requirements as required by section XI.M of this Order.

VI. EFFLUENT LIMITATIONS – COMBINED WASTE

A. Discharge Point 001. Discharger shall maintain compliance with the following effluent limitations at Discharge Point 001, with compliance measured at Monitoring Location EFF-001.

Table 4. Final Effluent Limitations – Discharge Point 001

Parameter	Units	Effluent Limitations			
		Average Monthly	Maximum Daily	Instantaneous Minimum	Instantaneous Maximum
Biochemical Oxygen Demand (5-day @ 20°C)	mg/L	50	80	--	--
Total Suspended Solids	mg/L	50	80	--	--
pH	std. units	--	--	6.0	9.0
Nitrate (as N)	mg/L	--	10	--	--

VII. OTHER DISCHARGE SPECIFICATIONS

- A. Objectionable Odor.** Objectionable odor originating at the Facility shall not be perceivable beyond the limits of the wastewater treatment area and the LAA.
- B. Pond Freeboard.** Freeboard in Pond 1 and Pond 2 shall never be less than 1 foot as measured vertically from the water surface to the top of the berm.
- C. Dissolved Oxygen.** The dissolved oxygen concentration in Pond 1 and Pond 2 shall not be less than 1.0 mg/L at any time. Compliance shall be measured at Monitoring Locations, POND-001 and POND-002.

VIII. WATER RECYCLING SPECIFICATIONS

- A.** The Discharger shall comply with applicable state and local requirements regarding the production and use of recycled domestic wastewater, including requirements of Water Code sections 13500 – 13577 (Water Recycling) and State Water Board, Division of Drinking Water (DDW) regulations at title 22, sections 60301 – 60357 of California Code of Regulations (Water Recycling Criteria).
- B.** The Discharger shall be responsible for ensuring that recycled water is applied at a rate and volume that does not exceed the vegetative demand and the soil assimilative capacity of the LAA.
- C.** The Discharger shall be responsible for ensuring that recycled water meets the quality standards of this Order.
- D.** The Discharger shall be responsible for the operation and maintenance of the Facility including all associated appurtenances necessary to convey and distribute the recycled water from the point of production to the LAA.
- E.** The Discharger shall be responsible for the operation and maintenance of the LAA. Specific responsibilities, at a minimum, shall include the following:

1. Proper installation, operation, and maintenance of the irrigation system;
 2. Control of onsite piping to prevent any cross-connections with potable water supplies; and
 3. General responsibilities to ensure compliance with this Order and continuous implementation of any BMPs identified as necessary to prevent potential hazards to public health and to protect the environment.
- F.** The Discharger shall conduct periodic inspections of the irrigation system, facilities, and operations to monitor and ensure compliance with the conditions of this Order.
- G.** The Discharger shall report all violations of this Order in the Discharger's monitoring reports, including incidental runoff events that the Discharger is aware of.
- H.** The Discharger shall prevent surface runoff of recycled water. The Regional Water Board recognizes that even with diligent implementation of BMPs, incidental runoff events may occur on occasion. All runoff incidents, including incidental runoff shall be summarized in the Discharger's monitoring reports. Incidental runoff is defined as unintended small amounts of runoff from the LAA where agronomic rates and appropriate BMPs are being implemented. Examples of incidental runoff include unintended, minimal over-spray from sprinklers that escapes the LAA or accidental breakage of a sprinkler head on a properly maintained irrigation system. Water leaving the LAA is not considered incidental if it is due to excessive application, if it is due to intentional overflow or application, or if it is due to negligence. Incidental runoff events are typically infrequent, low volume, accidental, not due to a pattern of neglect or lack of oversight, and are promptly addressed.

All runoff incidents, including incidental runoff, shall be summarized in the Discharger's self-monitoring reports. Regional Water Board Staff may consider enforcement action in the following instances: (1) for runoff that is not incidental but due to inadequate oversight or response by the Discharger, (2) repeated runoff incidents that were within the Discharger's control, (3) where incidental runoff causes violations of water quality objectives, (4) for incidents that create a condition of pollution or nuisance, or (5) for discharges that reach surface waters in violation of Discharge Prohibitions in section III of this Order and/or Water Recycling Requirements specified in section V of this Order.

- I.** The Discharger shall discontinue all use of recycled water during any period that there is reason to believe that the requirements in this Order are not being met. The use of recycled water shall not resume until all conditions have been corrected.
- J.** Disinfected secondary recycled water shall not be irrigated within 100 feet of any domestic water supply well or domestic water supply intake.

- K.** The LAA shall be managed to prevent ponding and conditions conducive to the proliferation of mosquitoes and other disease vectors, and to avoid creation of a public nuisance or health hazard.
- L.** All areas of the LAA where recycled water is used for irrigation that are accessible to the public shall be posted with signs that are visible to the public, in a size no less than 4 inches high by 8 inches wide that include the following wording: 'RECYCLED WATER – DO NOT DRINK'. Each sign shall display an international symbol similar to that shown in California Code of Regulations title 22, Figure 60310-A. (Cal. Code Regs., tit. 22, § 60310 (g).) These warning signs shall be posted at least every 500 feet with a minimum of a sign at each corner and access road. Alternatives to this requirement that assure an equivalent degree of public notification may be authorized by the Regional Water Board Executive Officer.
- M.** Recycled water shall not be allowed to escape from the LAA except in the form of incidental runoff as defined in section VIII.H, above. Where appropriate, practices and strategies to prevent the occurrence of runoff shall include, but not be limited to:
1. A minimum 50-foot setback to all surface waters or provide written documentation of appropriate BMPs that will be implemented to prevent or minimize the potential for runoff discharging to surface water;
 2. Proper design and aim of sprinkler heads and emitters;
 3. Proper design and operation of the irrigation system;
 4. Application at an agronomic rate that does not exceed the water or nutrient demand of the crop or vegetation being irrigated;
 5. Maintenance of irrigation infrastructure (pipelines, pumps, etc.) to prevent and minimize breakage and leaks; and
- N.** Direct or windblown spray, mist, or runoff from the LAA shall not enter dwellings, designated outdoor eating areas, or food handling facilities, roadways, or any other area where the public would accidentally be exposed to recycled water. (Cal. Code Regs., tit. 22, § 60310(e)(3).)
- O.** All irrigation equipment, pumps, piping, valves, quick couplers and outlets shall be secured in a manner that only permits operation by authorized personnel and shall be appropriately marked to differentiate them from potable facilities.
- P.** The main shutoff valve of the irrigation system meter shall be tagged with a recycled water warning sign. The valve shall be equipped with an appropriate locking device to prevent unauthorized operation of the valve.

- Q.** There shall be no cross-connection between potable water supply and piping containing recycled water.

- R.** The Discharger shall implement the requirements of the California Health and Safety Code (CHSC), section 116815 regarding the installation of purple pipe. CHSC section 116815 requires that “all pipes installed above or below the ground, on or after June 1, 1993, that are designed to carry recycled water, shall be colored purple or distinctively wrapped with purple tape.”

IX. SOLIDS HANDLING AND DISPOSAL SPECIFICATIONS

A. Process Solids

- 1.** Process solids, as used in this Order, means: pomace generated during the production of wine; process wastewater screenings; and sludges removed from Pond 1 and Pond 2 only.

- 2.** Process solids shall be collected from screens, sumps, ponds, and tanks as needed to ensure optimal operation of the process wastewater treatment system.

- 3.** Process solids that will not and/or cannot be used agronomically shall be disposed of at a legal point of disposal, and in accordance with the State Water Board promulgated provisions of title 27, division 2 of the California Code of Regulations.

- 4.** The land application of process solids to the LAA as a soil amendment shall be managed to prevent ponding, runoff and erosion.

- 5.** During wet weather conditions, when the process solids cannot be incorporated into the soil or hauled off-site for disposal, the solids shall be temporarily stored in a designated, covered or tarped, process solids storage area. The storage area shall be managed to prevent discharges of leachate to groundwater and discharges of leachate or solids to surface waters, or storm water runoff that has come in contact with the solids.

- 6.** When sludge from Pond 1 or Pond 2 is to be used as a soil amendment within the LAA, a proposal containing the following information shall be submitted to the Regional Water Board for approval:
 - a.** The physical properties of the sludge, including volume and percent solids.
 - b.** A summary of laboratory analysis results for a composite sample of the sludge. The constituents to be sampled for include: cadmium, chromium, copper, lead, nickel, zinc and total nitrogen. If deemed necessary by the Regional Water Board Executive Officer, additional constituents of concern may need to be monitored and/or a leachability test of the sludge may be required.

- c. A statement verifying that neither hazardous waste nor domestic waste sludge was discharged to the ponds.
- d. A map of the land application area denoting water courses, application area boundaries, acreage and crop.
- e. Calculations showing that the sludge will be applied at agronomic rates (based on nutrient uptake of the crop).
- f. A project schedule. Sludge application shall be confined to the dry season, which is generally between April 15th and October 15th of each year. Sludge shall be spread and incorporated into the soil in a manner to prevent erosion, runoff or any nuisance conditions.

B. Domestic Waste Solids

1. Domestic waste solids, as used in this Order, means the solid, semisolid, sludge and liquid residues removed during the treatment of domestic wastewater.
2. Domestic waste solids shall be removed from the screens, sumps, pond, grease interceptor, and solids separation tank as needed to ensure optimal treatment plant operation. The removed solids shall be disposed of in accordance with applicable federal and State regulations.
3. The handling and temporary storage of domestic waste solids shall not cause waste material to be in a position where it is, or can be, conveyed from the storage sites and deposited in waters of the State.
4. The handling and temporary storage of domestic waste solids shall not create a nuisance, as defined in Water Code section 13050(m), and shall not result in groundwater contamination, as defined in Water Code section 13050(k).
5. The reuse of domestic waste solids as a soil amendment is not authorized by this Order.

X. RECEIVING WATER LIMITATIONS - GROUNDWATER

- A. The collection, treatment, storage, disposal and reuse of treated wastewater, process solids and process pond sludge shall not cause or contribute to levels of chemical constituents in groundwater that exceed the primary and secondary maximum contaminant levels specified in CCR, title 22, Table 64431-A, Table 64444-A, Table 64449-A, and Table 64449-B.
- B. The collection, treatment, storage, disposal and reuse of treated wastewater, process solids and process pond sludge shall not cause or contribute to levels of radionuclides in groundwater in excess of the limits specified in CCR, title 22, Table 64442 and Table 64443.

- C. The collection, treatment, storage, disposal and reuse of treated wastewater, process solids and process pond sludge shall not cause groundwater to contain taste- or odor-producing substances in concentrations that cause nuisance or adversely affect beneficial uses.
- D. The collection, treatment, disposal and reuse of treated wastewater, process solids and process pond sludge shall not cause groundwater designated for agricultural supply to contain concentrations of chemical constituents in amounts that adversely affect its use for agriculture.
- E. In groundwater used or potentially used for domestic and municipal supply (MUN), the collection, treatment, storage, disposal and reuse of treated wastewater, process solids and process pond sludge shall not cause the median of the most probable number of coliform organisms over any 7-day period to exceed 1.1 MPN/100 mL or 1 colony/100 mL.

XI. GENERAL PROVISIONS

Failure to comply with provisions or requirements of this Order, may subject the Discharger to administrative or civil liabilities, criminal penalties, and/or other enforcement remedies. Additionally, certain violations may subject the Discharger to civil or criminal enforcement from appropriate local, state, or federal law enforcement entities. The Discharger shall comply with the following provisions:

- A. **Availability.** A copy of this Order and the associated Monitoring and Reporting Program shall be maintained at the Facility and be available at all times to operating personnel.
- B. **Enforcement.** The Discharger shall operate and maintain the Facility as described in this Order. Violation of any requirements contained in this Order subject the Discharger to enforcement action, including civil liability, under the Water Code.
- C. **Severability.** Provisions of these waste discharge requirements are severable. If any provision of these requirements is found invalid, the remainder of these requirements shall not be affected.
- D. **Spill Response.** The Discharger shall comply with the following:
 - 1. The Discharger shall take all feasible steps to stop spills and overflows from the collection systems as soon as possible. All reasonable steps shall be taken to collect spill or overflow material and protect the public from contact with the wastes or waste-contaminated soil or surfaces.
 - 2. The Discharger shall report orally and in writing to the Regional Water Board staff all spills and overflows of domestic and process wastewater. Spill notification and

reporting shall be conducted in accordance with the Monitoring and Reporting Program in Attachment C of this Order.

- E. Operation and Maintenance.** The Discharger shall at all times properly operate and maintain all facilities and systems of treatment and control (and related appurtenances) that are installed or used by the Discharger to achieve compliance with this Order. Proper operation and maintenance includes adequate laboratory control and appropriate quality assurance procedures. This provision requires the operation of backup or auxiliary facilities or similar systems that are installed by a Discharger only when necessary to achieve compliance with the conditions of this Order.

The Discharger shall maintain an updated Operation and Maintenance Manual (O&M Manual) for the Facility. The Discharger shall update the O&M Manual, as necessary, to conform to changes in operation and maintenance of the Facility. The O&M Manual shall be readily available to operating personnel on-site.

- F. Change in Discharge.** The Discharger shall promptly report to the Regional Water Board any material change in the character, location, or volume of the discharge.
- G. Change in Control or Ownership.** In the event of any change in control or ownership of land or waste discharge facilities presently owned or controlled by the Discharger, the Discharger shall notify the Regional Water Board of such changes in writing, and shall also notify the succeeding owner or operator of the existence of this Order and current compliance status in writing. The succeeding owner or operator, in order to obtain authorization for discharges regulated by this Order, must apply in writing to the Regional Water Board Executive Officer, requesting transfer of the Order. This request must include complete identification of the new owner or operator, the reasons for the change, and effective date of the change. Discharges conducted without submittal of this request will be considered discharges without waste discharge requirements, which are violations of the Water Code.
- H. Vested Rights.** This Order does not convey any property rights of any sort or any exclusive privileges. The requirements prescribed herein do not authorize the commission of any act causing injury to persons or property, nor protect the Discharger from liability under federal, state, or local laws, nor create a vested right for the Discharger to continue the waste discharge.
- I. Monitoring and Reporting.** The Discharger shall comply with the Monitoring and Reporting Program and any modifications to these documents as specified by the Regional Water Board Executive Officer. Chemical and bacteriological analyses shall be conducted at a laboratory certified for such analyses by the Division of Drinking Water, State Water Board and shall conform to Division of Drinking Water guidelines. The Discharger shall comply with the MRP in Attachment D of this Order and any future revisions thereto.

J. Records Retention. The Discharger shall maintain records of all monitoring information, including calibration and maintenance records and all strip chart recordings for continuous monitoring instrumentation, copies of all reports required by this Order, and records of all data used to complete the application for this Order, for a period of at least five (5) years from the date of the sample, measurement, report or application. This period may be extended by request of the Regional Water Board Executive Officer.

K. Signatory Requirements. ROWD applications submitted to the Regional Water Board shall be signed by a principal Executive Officer, ranking elected official, or responsible corporate officer.

1. For purposes of this provision, a responsible corporate officer means:

- a. A president, secretary, treasurer, or vice president of the corporation in charge of a principal business function, or any other person who performs similar policy or decision making functions for the corporation; or
- b. The manager of one or more manufacturing, production, or operating facilities employing more than 250 persons or having gross annual sales or expenditures exceeding \$25 million (in second quarter 1980 dollars), if authority to sign documents has been assigned or delegated to the manager in accordance with corporate procedures.

2. Reports required by this Order and other information requested by the Regional Water Board may be signed by a duly authorized representative provided:

- a. The authorization is made in writing by a principal Executive Officer, ranking elected official, or responsible corporate officer as described above;
- b. The authorization specifies either an individual or a position having responsibility for the overall operation of the regulated facility or activity such as the position of plant manager, operator of a well or a well field, superintendent, position of equivalent responsibility, or an individual or position having overall responsibility for environmental matters for the entity; and
- c. The written authorization is submitted to the Regional Water Board prior to or together with any reports, information, or applications signed by the authorized representative.

3. Any person signing a document under paragraph 1 or 2 of this provision shall make the following certification:

"I certify under penalty of law that this document and all attachments were prepared under my direction or supervision in accordance with a system designed to assure that qualified personnel properly gather and evaluate the information

submitted. Based on my inquiry of the person or persons who manage the system, or those persons directly responsible for gathering the information, the information submitted, is, to the best of my knowledge and belief, true, accurate, and complete. I am aware that there are significant penalties for submitting false information, including the possibility of fine and imprisonment for knowing violations."

- L. Inspections.** The Discharger shall permit authorized staff of the Regional Water Board the following:
1. Entrance to the premises in which treatment, collection or management of waste occurs, where an effluent source is located or in which any records required by this Order are kept;
 2. Access to inspect and copy any monitoring equipment or records required for compliance with terms and conditions of this Order; and
 3. Access to sample any discharge or monitoring location associated with the Facility.
- M. Noncompliance.** In the event the Discharger is unable to comply with any of the conditions of this Order due to breakdown of waste treatment equipment, accidents caused by human error or negligence, or other causes such as acts of nature, the Discharger shall notify Regional Water Board staff by telephone as soon as it or its agents have knowledge of the incident and confirm this notification in writing within five (5) business days of the telephone notification. The written notification shall include pertinent information explaining reasons for the noncompliance and shall indicate the steps taken to correct the problem and the dates thereof, and the steps being taken to prevent the problem from recurring.
- N. Revision of Requirements.** The Regional Water Board will review this Order periodically and may revise requirements when necessary.
- O. Operator Certification.** Supervisors and operators of wastewater treatment plants shall possess a certificate of appropriate grade in accordance with title 23, California Code of Regulations, section 3680. The State Water Board may accept experience in lieu of qualification training. In lieu of a properly certified wastewater treatment plant operator, the State Water Board may approve use of a water treatment plant operator of appropriate grade certified by the State Water Board Division of Drinking Water where water reclamation is involved.

XII. COMPLIANCE DETERMINATION

Compliance with this Order will be determined as specified below.

A. Multiple Sample Data. When determining compliance with an average effluent limitation, and more than one sample result is available, the Discharger shall compute the arithmetic mean unless the data set contains one or more reported determinations of “Detected, but Not Quantified” (DNQ) or “Not Detected” (ND). In those cases, the Discharger shall compute the median in place of the arithmetic mean in accordance with the following procedure:

1. The data set shall be ranked from low to high, ranking the ND concentrations lowest, DNQ determinations next, followed by quantified values (if any). The order of the individual ND and DNQ determinations is not important.
2. The median value of the data set shall be determined. If the data set has an odd number of data points, then the median is the middle value. If the data set has an even number of data points, the median is the average of the two middle values, unless one or both of the points are ND or DNQ, in which case a value of zero shall be used for the ND or DNQ value in the median calculation for compliance purposes only.

B. Average Daily Flow. Compliance with the average daily flow prohibitions in section III.D and III.E of this Order will be determined once each month by evaluating all daily flow data collected in the corresponding calendar month. The flow through the Facility, measured daily and averaged monthly, must be 10,000 gpd or less of domestic waste at REC -1 (see MRP) and 60,370 gpd or less of process waste at EFF-1 (see MRP) for every month in a calendar year.

C. Average Monthly Effluent Limitation (AMEL). The arithmetic mean of all samples collected in a calendar month, calculated as the sum of all samples in a calendar month divided by the number of samples. If there are ND or DNQ results for a specific constituent in a calendar month, the Discharger shall calculate the median of all sample results within that month for compliance determination with the AMEL as described in section XII.A, above.

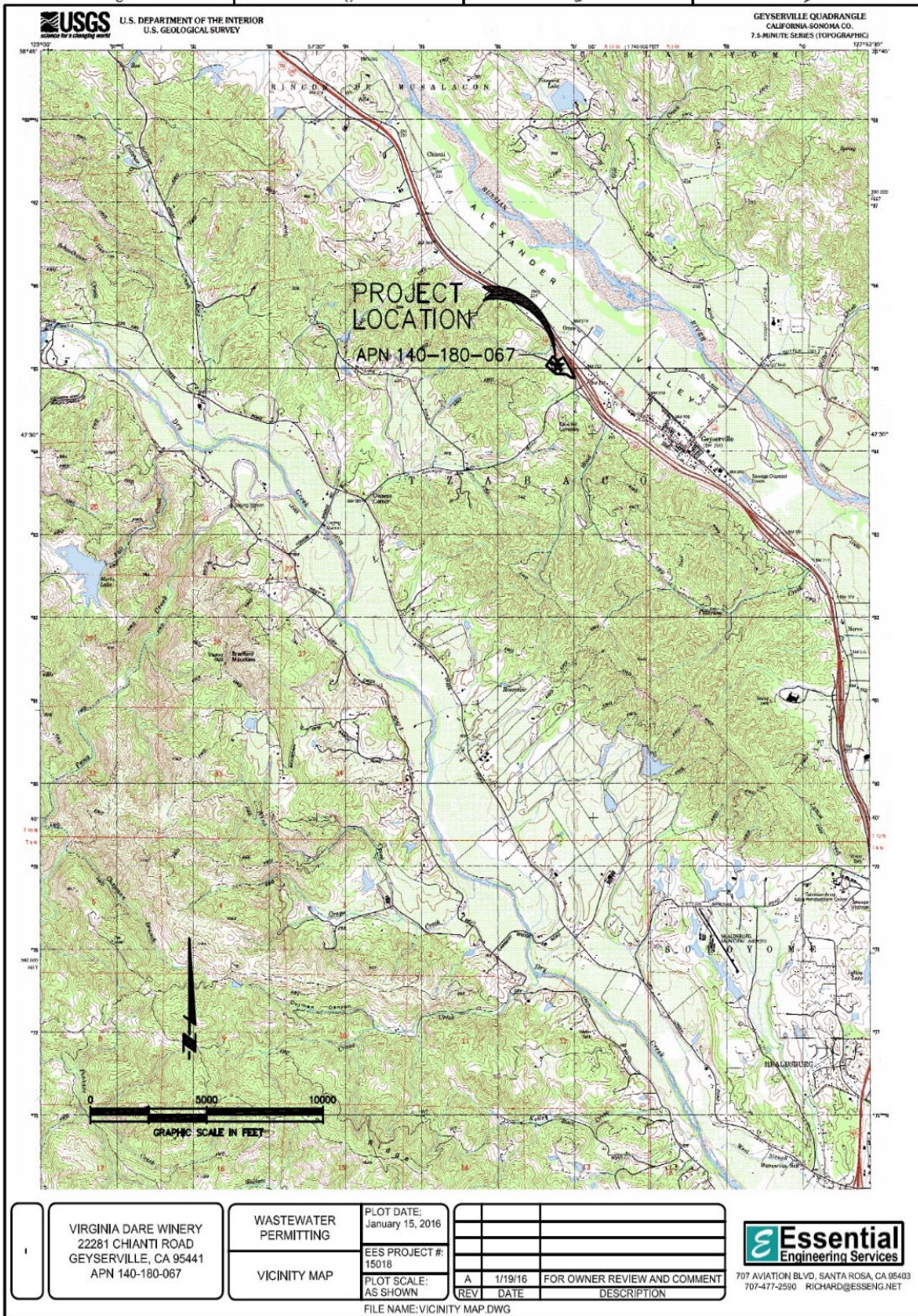
If only one sample is collected in a calendar month, that sample result will constitute the monthly average and daily maximum results for the purpose of determining compliance with effluent limitations.

If the average of daily discharges over a calendar month exceeds the AMEL for a given parameter, this will represent a single violation, though the Discharger will be considered out of compliance for each day of that month for that parameter (e.g., resulting in 31 days of non-compliance in a 31-day month). If only a single sample is

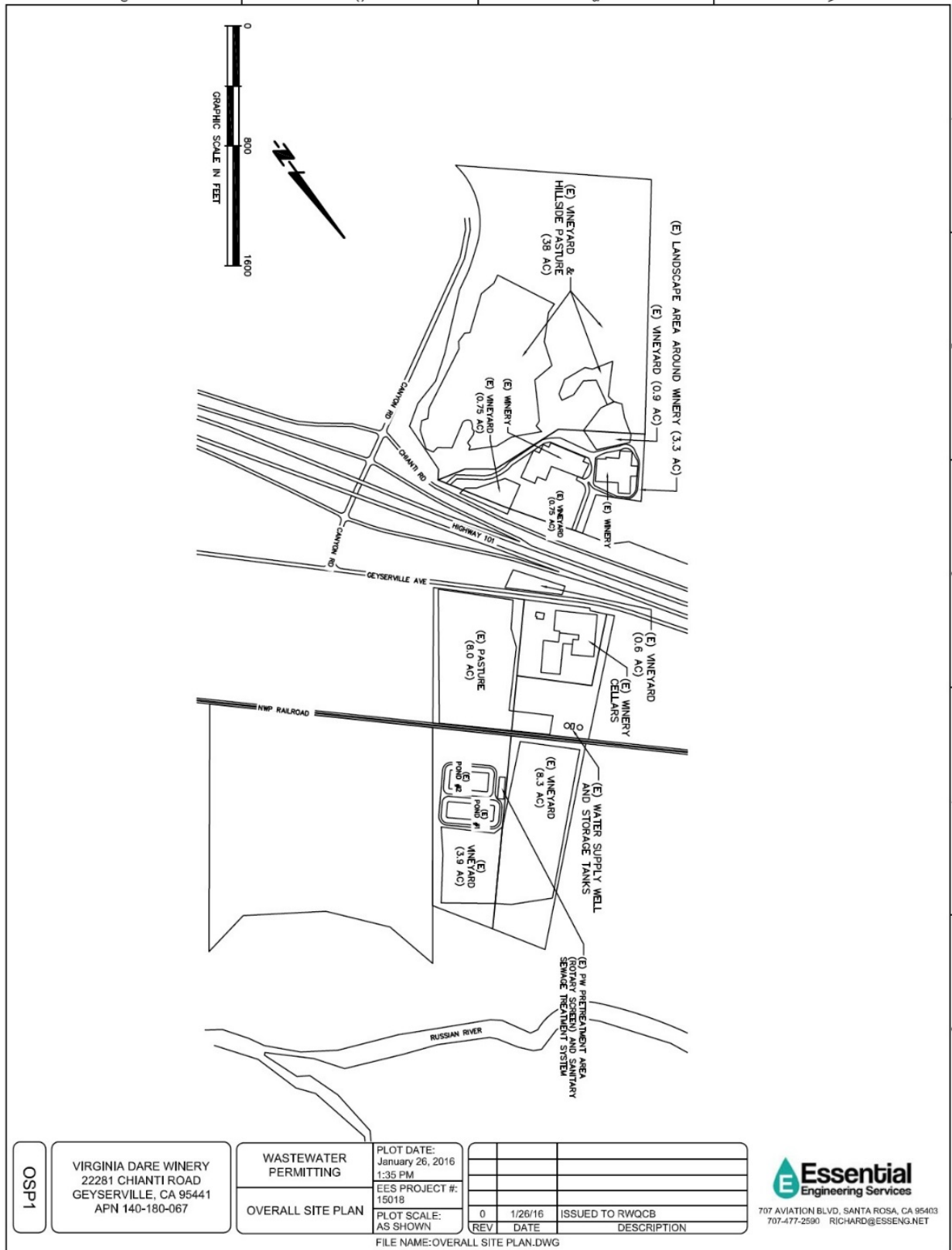
taken during the calendar month and the analytical result for that sample exceeds the AMEL, the Discharger will be considered out of compliance for that calendar month.

- D. Maximum Daily Effluent Limitation (MDEL).** If a daily discharge (or when applicable, the median determined by subsection A, above, for multiple sample data of a daily discharge) exceeds the MDEL for a given parameter, the Discharger will be considered out of compliance for that parameter for that one day only within the reporting period.
- E. Instantaneous Minimum Effluent Limitations.** If the analytical result of a single grab sample is lower than the instantaneous minimum effluent limitation for a parameter, the Discharger will be considered out of compliance for that parameter for that single sample. Non-compliance for each sample will be considered separately (e.g., the results of two grab samples taken within a calendar day that both are lower than the instantaneous minimum effluent limitation would result in two instances of non-compliance with the instantaneous minimum effluent limitation).
- F. Instantaneous Maximum Effluent Limitations.** If the analytical result of a single grab sample is higher than the instantaneous maximum effluent limitation for a parameter, the Discharger will be considered out of compliance for that parameter for that single sample. Non-compliance for each sample will be considered separately (e.g., the results of two grab samples taken within a calendar day that both exceed the instantaneous maximum effluent limitation would result in two instances of non-compliance with the instantaneous maximum effluent limitation).
- G. Bacteriological Limitations.**
- 1. Median.** The median is the central tendency concentration of the pollutant. The data set shall be ranked from low to high, ranking the ND concentrations lowest, DNQ determinations next, followed by quantified values. The order of the individual ND and DNQ determinations is not important. The median value is determined based on the number of data points in the data set. If the data set has an odd number of data points, then the median is the middle value. If the data set has an even number of data points, the median is the average of the two middle values, unless one or both points are ND or DNQ, in which case the median value shall be the lower of the two middle data points. DNQ is lower than a detected value, and ND is lower than DNQ.
 - 2. Compliance with the 7-day median** will be determined as a rolling median during periods when sampling occurs more frequently than weekly. During periods when sampling is weekly, this requirement shall apply to each weekly sample.

ATTACHMENT A - VICINITY MAP



ATTACHMENT B - VIRGINIA DARE WINERY COMPLEX MAP



OSP1

VIRGINIA DARE WINERY
22281 CHIANTI ROAD
GEYSERVILLE, CA 95441
APN 140-180-067

WASTEWATER PERMITTING
OVERALL SITE PLAN

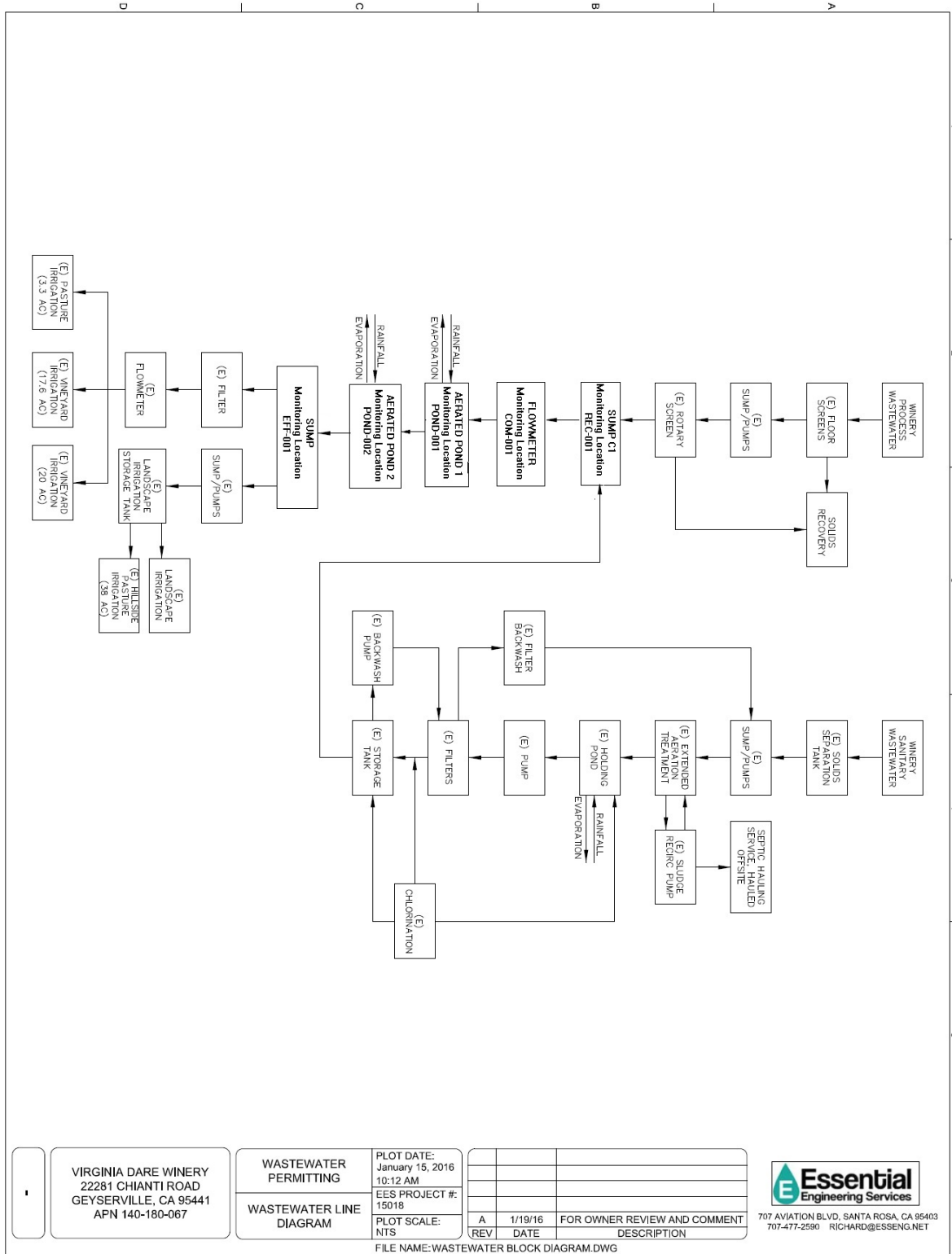
PLOT DATE:
January 26, 2016
1:35 PM
EES PROJECT #:
15018
PLOT SCALE:
AS SHOWN

REV	DATE	ISSUED TO RWQCB	DESCRIPTION
0	1/26/16	ISSUED TO RWQCB	

Essential
Engineering Services
707 AVIATION BLVD, SANTA ROSA, CA 95403
707-477-2590 RICHARD@ESSENG.NET

FILE NAME:OVERALL SITE PLAN.DWG

ATTACHMENT C – FACILITY SCHEMATIC



VIRGINIA DARE WINERY
22281 CHIANTI ROAD
GEYSERVILLE, CA 95441
APN 140-180-067

WASTEWATER PERMITTING
WASTEWATER LINE DIAGRAM
PLOT DATE: January 15, 2016 10:12 AM
EES PROJECT #: 15018
PLOT SCALE: NTS

REV	DATE	DESCRIPTION
A	1/19/16	FOR OWNER REVIEW AND COMMENT

Essential
Engineering Services
707 AVIATION BLVD, SANTA ROSA, CA 95403
707-477-2590 RICHARD@ESSENG.NET

ATTACHMENT D – MONITORING AND REPORTING PROGRAM (MRP)

California Water Code sections 13267 authorizes the Regional Water Quality Control Board (Regional Water Board) to require technical and monitoring reports. This MRP establishes monitoring and reporting requirements, which implement California regulations.

I. GENERAL MONITORING PROVISIONS

- A. If the Discharger monitors any waste constituent more frequently than required by this Order, using test procedures as specified in this Order, the results of this monitoring shall be included in the calculation and reporting of the data submitted in the quarterly and annual self-monitoring reports.
- B. Laboratories analyzing monitoring samples shall be certified by the State Water Resources Control Board, Division of Drinking Water, in accordance with the provision of Water Code section 13176, and must include quality assurance/quality control data with their reports.
- C. Compliance monitoring analyses shall be conducted using commercially available and reasonably achievable detection limits that are lower than the applicable effluent limitation. If no minimum level (ML) value is below the effluent limitation, the lowest ML shall be selected as the reporting level (RL).

II. MONITORING LOCATIONS

The Discharger shall establish the following monitoring locations to demonstrate compliance with the effluent limitations, discharge specifications, and other requirements in this Order:

Table D-1 Monitoring Station Locations

<u>Discharge Point</u>	<u>Monitoring Location</u>	<u>Monitoring Location Description</u>
N/A	REC-001	Location following treatment and disinfection of domestic wastewater, prior to comingling with screened process wastewater in Sump C1, to demonstrate compliance with Order section III.D and IV.A.
N/A	COM-001	Flowmeter located directly after Sump C1, to measure volume of comingled wastewater leaving Sump C1 and going to Pond 1
N/A	POND-001	Grab sample location from Pond 1 to demonstrate compliance with Order section VII
N/A	POND-002	Grab sample location from Pond 2 to demonstrate compliance with Order section VII
001	EFF-001	Sump located directly after Pond 2, to demonstrate compliance with Order section III.E and VI.A.

III. FLOW MONITORING

- A. Monitoring Location REC-001.** The Discharger shall measure and record the average daily volume of treated recycled domestic wastewater at Monitoring Location REC-001 as follows:

Table D-2 Monitoring Location REC-001

<u>Parameter</u>	<u>Units</u>	<u>Sample Type</u>	<u>Sampling Frequency</u>
Treated Recycled Domestic Wastewater	gpd	Meter	Daily

- B. Monitoring Location COM-001.** The Discharger shall measure and record the average daily volume of the combined flow of treated recycled domestic wastewater and process wastewater at Monitoring Location COM-001 as follows:

Table D-3 Monitoring Location COM-001

<u>Parameter</u>	<u>Units</u>	<u>Sample Type</u>	<u>Sampling Frequency</u>
Combined Wastewater	gpd	Meter	Daily

- C. Monitoring Location EFF-001.** The Discharger shall measure and record the average daily volume of treated wastewater at Monitoring Location EFF-001 as follows:

Table D-4 Monitoring Location EFF-001

<u>Parameter</u>	<u>Units</u>	<u>Sample Type</u>	<u>Sampling Frequency</u>
Treated Wastewater	gpd	Meter	Daily

IV. EFFLUENT MONITORING

- A. Monitoring Location REC-001.** When discharging treated recycled domestic wastewater to Sump C1, the Discharger shall monitor the treated domestic wastewater effluent at Monitoring Location REC-001 as follows:

Table D-5 Monitoring Location REC-001

<u>Parameter</u>	<u>Units</u>	<u>Sample Type</u>	<u>Sampling Frequency</u>
Total Coliform Organisms	MPN/100 mL	Grab	Daily

- B. Monitoring Location EFF-001.** When discharging at Discharge Point 001, the Discharger shall monitor the treated wastewater effluent at Monitoring Location EFF-001 prior to reuse as follows:

Table D-6 Monitoring Location EFF-001

<u>Parameter</u>	<u>Units</u>	<u>Sample Type</u>	<u>Sampling Frequency</u>
pH	std. units	Grab	Quarterly
Biochemical Oxygen Demand (5-day @ 20°C)	mg/L	Grab	Quarterly
Total Suspended Solids	mg/L	Grab	Quarterly
Nitrate (as N)	mg/L	Grab	Quarterly

V. OTHER MONITORING

- A. Process Wastewater Treatment Ponds.** The Discharger shall monitor the wastewater held in the process wastewater treatment ponds, at Monitoring Locations POND-001 and POND-002 as follows:

Table D-7 Monitoring Locations POND-001 and POND-002

<u>Parameter</u>	<u>Units</u>	<u>Sample Type</u>	<u>Sampling Frequency</u>
Pond Free Board	Feet	Measured	Monthly
Odors	---	Observation	Monthly
Dissolved Oxygen	mg/L	Grab	Quarterly

VI. SOLIDS MONITORING

- A. Solids Separation Tank Domestic Waste Solids.** The Discharger shall monitor the volume of solids in the domestic wastewater solids separation tank as follows:

Table D-8 Solids Separation Tank Solids Monitoring

<u>Parameter</u>	<u>Units</u>	<u>Sample Type</u>	<u>Monitoring Frequency</u>
Solids depth in each compartment of solids separation tank	Feet	Staff Gauge	Annually

- B. Domestic Waste Solids Reporting.** The Discharger shall record the date and waste hauler information whenever the solids separation tank, grease interceptor or activated sludge vault is pumped. Receipts from the licensed waste hauler shall be submitted in conjunction with quarterly reports whenever waste pumping occurs.
- C. Process Solids.** The Discharger shall monitor process solids as follows:

Table D-9 Process Solids Monitoring

<u>Parameter</u>	<u>Units</u>	<u>Sample Type</u>	<u>Sampling Frequency</u>
Depth of Settled Solids in Pond 1	Feet	Measured	5 Years
Depth of Settled Solids in Pond 2	Feet	Measured	5 Years
Process Solids removed from Pond 1	Feet ³	Measured	Annually
Process Solids removed from Pond 2	Feet ³	Measured	Annually
Process Solids applied to LAA	Feet ³ /acre	Calculated	Annually

VII. REPORTING REQUIREMENTS

A. Self-Monitoring Reports (SMRs).

1. The Discharger shall submit quarterly SMRs including the results for all monitoring specified in this MRP. If the Discharger monitors any pollutant more frequently than required by this Order, the results of this monitoring shall be included in the calculations and reporting of the data submitted in the SMR.

2. All monitoring results shall include complete laboratory data sheets for each analysis and be submitted in conjunction with the quarterly SMR on the first day of the second month following the quarter. Annual summary reports shall be submitted by March 1st each year.

3. Monitoring periods for all required monitoring shall be completed according to the following schedule:

Table D-10 Monitoring Periods and Reporting Schedule

<u>Sampling Frequency</u>	<u>Monitoring Period Begins On</u>	<u>Monitoring Period</u>
Daily	October 19, 2017	(Midnight through 11:59 PM) or any 24-hour period that reasonably represents a calendar day for purposes of sampling.
Monthly	October 19, 2017	1st day of calendar month through last day of calendar month
Quarterly	October 19, 2017	January through March April through June July through September October through December
Annually	October 19, 2017	January 1 through December 31
5 years	October 19, 2017	1st day of first calendar year through last day of fifth calendar year

- 4. Reporting Protocols.** The Discharger shall report with each sample result the applicable ML, the RL and the current MDL, as determined by the procedure in Standard Methods.

The Discharger shall report the results of analytical determinations for the presence of chemical constituents in a sample using the following reporting protocols:

- a. Sample results greater than or equal to the reported ML shall be reported as measured by the laboratory (i.e., the measured chemical concentration in the sample).
- b. Sample results less than the RL, but greater than or equal to the laboratory's MDL, shall be reported as "Detected, but Not Quantified," or DNQ. The estimated chemical concentration of the sample shall also be reported.

For the purposes of data collection, the laboratory shall write the estimated chemical concentration next to DNQ as well as the words "Estimated Concentration" (may be shortened to "Est. Conc."). The laboratory may, if such information is available, include numerical estimates of the data quality for the reported result. Numerical estimates of data quality may be percent accuracy (a percentage of the reported value), numerical ranges (low to high), or any other means considered appropriate by the laboratory.

- c. Sample results less than the laboratory's MDL shall be reported as "Not Detected," or ND.
- d. Dischargers are to instruct laboratories to establish calibration standards so that the ML value (or its equivalent if there is differential treatment of samples relative to calibration standards) is the lowest calibration standard. At no time is the Discharger to use analytical data derived from extrapolation beyond the lowest point of the calibration curve.

- 5. SMR Submission.** The Discharger shall submit SMRs in accordance with the following requirements:

- a. The Discharger shall arrange all reported data in a tabular format. The data shall be summarized to clearly illustrate whether the facility is operating in compliance with effluent limitations and other requirements of this Order.
- b. The Discharger shall attach a cover letter to the SMR. The information contained in the cover letter shall clearly identify:
 - i. Facility name and address;
 - ii. WDID number;
 - iii. Applicable period of monitoring and reporting;

- iv. Violations of the WDRs (identified violations must include a description of the requirement that was violated and a description of the violation);
 - v. Corrective actions taken or planned; and
 - vi. The proposed time schedule for corrective actions.
- c. SMRs must be submitted to the Regional Water Board, signed and certified as required by the General Provisions, to: NorthCoast@waterboards.ca.gov or on disk (CD or DVD) in a Portable Document Format (PDF) file in lieu of paper-sourced documents. The guidelines for electronic submittal of documents can be found on the Regional Water Board website at:
<http://www.waterboards.ca.gov/northcoast>.
- d. At any time during the term of this permit, the Regional Water Board may notify the Discharger to electronically submit both technical and SMRs to the State Water Board's GeoTracker database in searchable Portable Document Format (pdf). In addition, analytical data will be required to be uploaded to the GeoTracker database under a site-specific global identification number that will be assigned to the Discharger. Information on the GeoTracker database is provided on the State Water Board website at:
http://www.waterboards.ca.gov/resources/data_databases/groundwater.shtml

B. Other Reports

1. **Annual Report.** The Discharger shall submit an annual report to the Regional Water Board for each calendar year. The report shall be submitted by March 1 of the following year. The report shall, at a minimum, include the following:
 - a. **Monitoring Data Summaries.** Both tabular and, where appropriate, graphical summaries of the monitoring data and disposal records from the previous year. If the Discharger monitors any pollutant more frequently than required by this Order, the results of this monitoring shall be included in the calculation and report of the data submitted in the SMR.
 - b. **Compliance Reporting.** A comprehensive discussion of the Facility's compliance (or lack thereof) with all effluent limitations and other WDRs, and the corrective actions taken or planned, which may be needed to bring the discharge into full compliance with the Order.
2. **Recycled Water Report.** The Discharger shall submit a copy of all recycled water reports provided to the Division of Drinking Water to the Regional Water Board.

- C. **Spill Notification.** Information regarding all spills and unauthorized discharges that may endanger health or the environment shall be provided orally to the Regional

Water Board¹ within 24 hours from the time the Discharger becomes aware of the circumstances and a written report shall also be provided within five (5) days of the time the Discharger.

Information to be provided verbally to the Regional Water Board includes:

1. Name and contact information of caller;
2. Date, time and location of spill occurrence;
3. Estimates of spill volume, rate of flow, and spill duration, if available and reasonably accurate;
4. Surface water bodies impacted, if any;
5. Any adverse impacts observed, if any;
6. Cause of spill, if known at the time of the notification;
7. Cleanup actions taken or repairs made at the time of the notification; and
8. Responding agencies.

I, Matthias St. John, Executive Officer, do hereby certify that this Order with all attachments is a full, true, and correct copy of an Order adopted by the California Regional Water Quality Control Board, North Coast Region, on October 19, 2017.

Matthias St. John, Executive Officer

October 19, 2017

17_0013_VirginiaDare_WDR

¹ The contact number of the Regional Water Board during normal business hours is (707) 576-2220. After normal business hours, spill reporting to CalEMA will satisfy the 24 hour spill reporting requirement for the Regional Water Board. The contact number for spill reporting for the CalEMA is (800) 852-7550.