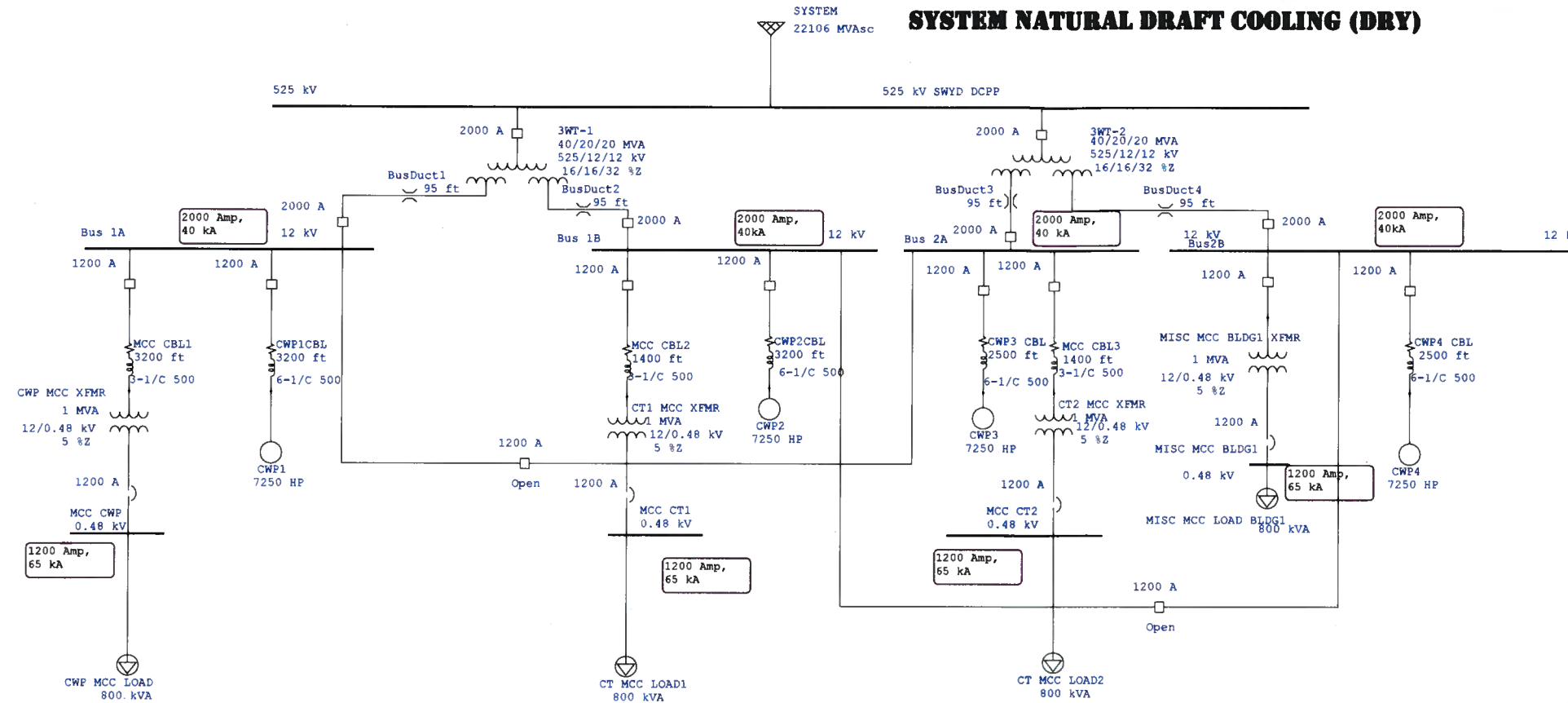


ONE LINE DIAGRAM : DCPD CIRCULATING WATER SYSTEM NATURAL DRAFT COOLING (DRY)



- NOTES :**
1. THE NEW ELECTRICAL SYSTEM FOR UNIT 2 IS IDENTICAL
- REFERENCES :**
1. MECHANICAL EQUIPMENT LIST MOX-YA-00001
 2. PIPING AND INSTRUMENTATION DIAGRAM M6K-WL-00001

- ELECTRICAL EQUIPMENT REQUIRED :**
- 1.) 3 WINDING TRANSFORMERS
-QUANTITY; RATING : 2; 40MVA/20MVA/20MVA, 525KV/12KV/12KV
 - 2.) 2 WINDING TRANSFORMERS
-QUANTITY; RATING : 4; 1MVA, 12KV/0.48KV
 - 3.) 13.8 KV SWITCHGEAR (OPERATED AT 12 KV)
-QUANTITY; RATING : 4; 2000A, 40KA
 - 4.) 0.48KV MCC
-QUANTITY; RATING : 2; 1200A, 65KA
- NOTE : CT MCC LOAD 1 AND CT MCC LOAD 2 IN VENDOR'S SCOPE. THEREFORE, NOT COUNTED HERE.**

FOR INFORMATION ONLY. DO NOT USE FOR PROCUREMENT, FABRICATION OR CONSTRUCTION.

BECHTEL CONFIDENTIAL. © 2013 BECHTEL POWER CORPORATION (BECHTEL). CONTAINS INFORMATION CONFIDENTIAL AND/OR PROPRIETARY TO BECHTEL AND ITS AFFILIATED COMPANIES THAT IS NOT TO BE USED, DISCLOSED, OR REPRODUCED IN ANY FORM BY ANY NON-BECHTEL PARTY WITHOUT BECHTEL'S PRIOR WRITTEN PERMISISON. ALL RIGHTS RESERVED.

JOB NO. : 25762-110

DRAWING NO. : E1K-0000-00001

REVISION/DATE: B 7/29/13

REASON FOR ISSUE : FOR ESTIMATION

TITLE : ONE LINE DIAGRAM : DCPD CIRCULATING WATER SYSTEM NATURAL DRAFT COOLING (DRY)

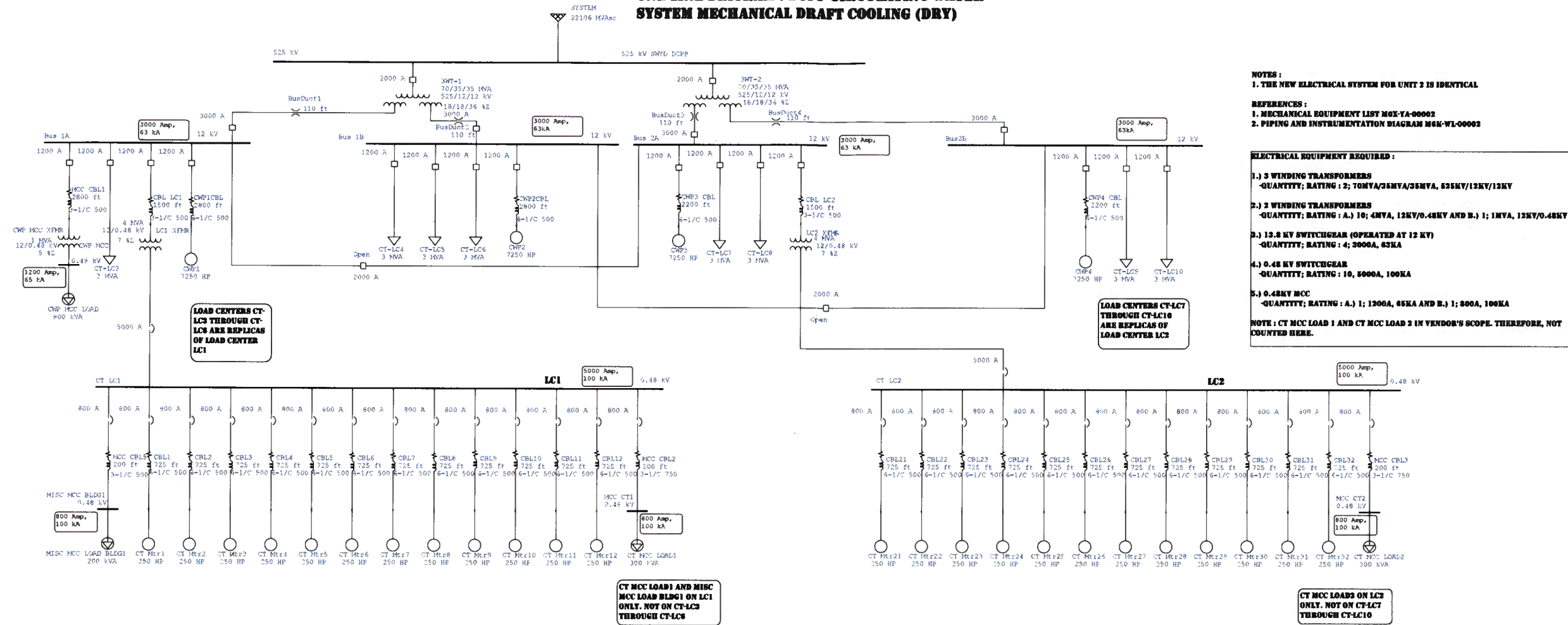
ORIGINATED BY : J.S.

VERIFIED BY : P.H.

EGS : [Signature]

PE : [Signature]

ONE LINE DIAGRAM : DCPD CIRCULATING WATER SYSTEM MECHANICAL DRAFT COOLING (DRY)



- NOTES :**
- THE NEW ELECTRICAL SYSTEM FOR UNIT 2 IS IDENTICAL
- REFERENCES :**
- MECHANICAL EQUIPMENT LIST MEX-YA-00002
 - PIPING AND INSTRUMENTATION DIAGRAM MEX-WL-00002
- ELECTRICAL EQUIPMENT REQUIRED :**
- 3 WINDING TRANSFORMERS
-QUANTITY; RATING : 2; 70MVA/35MVA/35MVA, 525KV/12KV/12KV
 - 2 WINDING TRANSFORMERS
-QUANTITY; RATING : A.) 10; 4MVA, 12KV/0.48KV AND B.) 1; 1MVA, 12KV/0.48KV
 - 13.8 KV SWITCHGEAR (OPERATED AT 12 KV)
-QUANTITY; RATING : 4; 3000A, 63KA
 - 0.48 KV SWITCHGEAR
-QUANTITY; RATING : 10; 5000A, 100KA
 - 0.48KV MCC
-QUANTITY; RATING : A.) 1; 1200A, 63KA AND B.) 1; 800A, 100KA
- NOTE : CT MCC LOAD 1 AND CT MCC LOAD 2 IN VENDOR'S SCOPE. THEREFORE, NOT COUNTED HERE.**

JOB NO. : 25762-110

DRAWING NO. : E1E-0000-00002

REVISION/DATE: B 7/25/13

REASON FOR ISSUE : FOR ESTIMATION

TITLE : ONE LINE DIAGRAM : DCPD CIRCULATING WATER SYSTEM MECHANICAL DRAFT COOLING (DRY)

ORIGINATED BY : J.S.

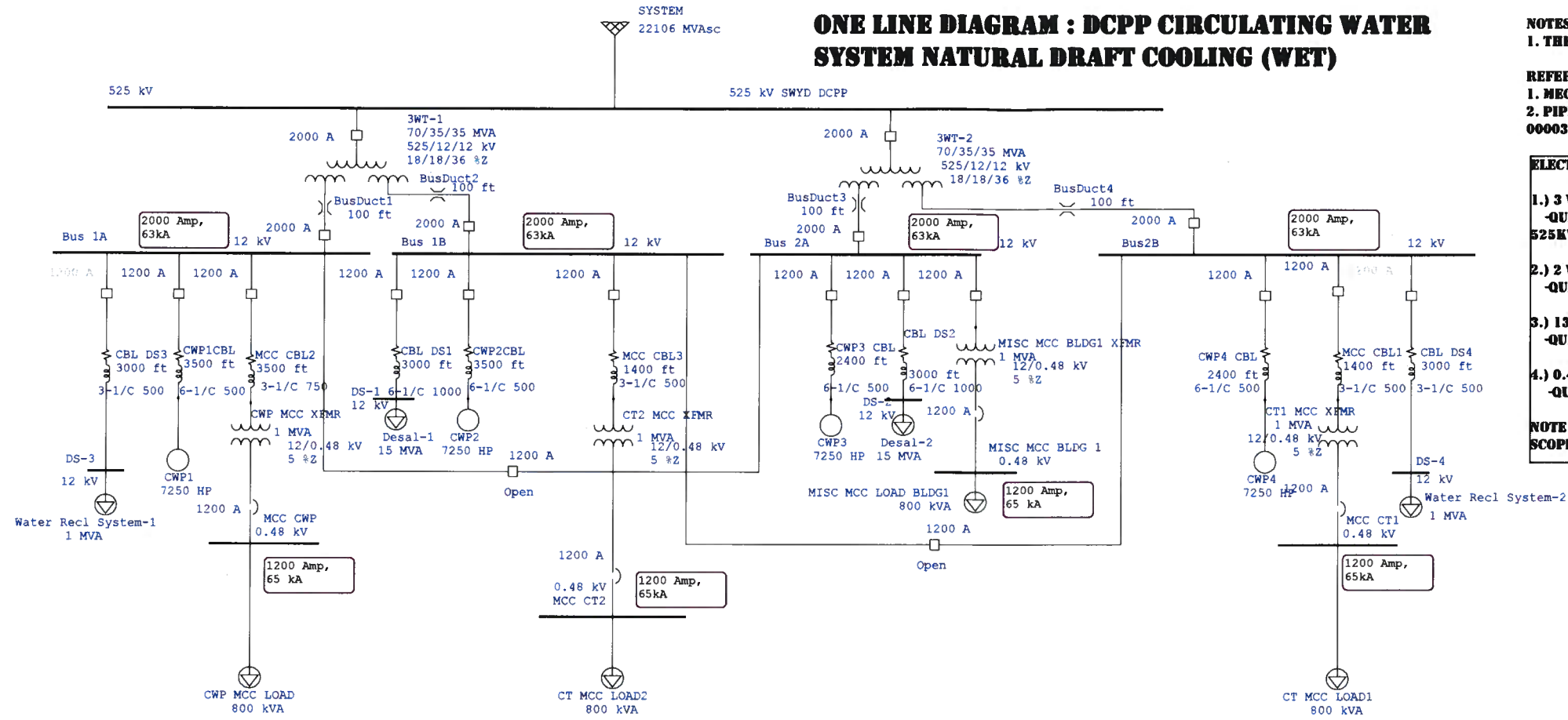
VERIFIED BY : [Signature]

EGS : [Signature]

PE : [Signature]

FOR INFORMATION ONLY. DO NOT USE FOR PROCUREMENT, FABRICATION OR CONSTRUCTION.

BECHTEL CONFIDENTIAL. © 2013 BECHTEL POWER CORPORATION (BECHTEL). CONTAINS INFORMATION CONFIDENTIAL AND/OR PROPRIETARY TO BECHTEL AND ITS AFFILIATED COMPANIES THAT IS NOT TO BE USED, DISCLOSED, OR REPRODUCED IN ANY FORM BY ANY NON-BECHTEL PARTY WITHOUT BECHTEL'S PRIOR WRITTEN PERMISSION. ALL RIGHTS RESERVED.



NOTES :
 1. THE NEW ELECTRICAL SYSTEM FOR UNIT 2 IS IDENTICAL

REFERENCES :
 1. MECHANICAL EQUIPMENT LIST : MOX-YA-00003
 2. PIPING AND INSTRUMENTATION DIAGRAM : M6K-WL-00003

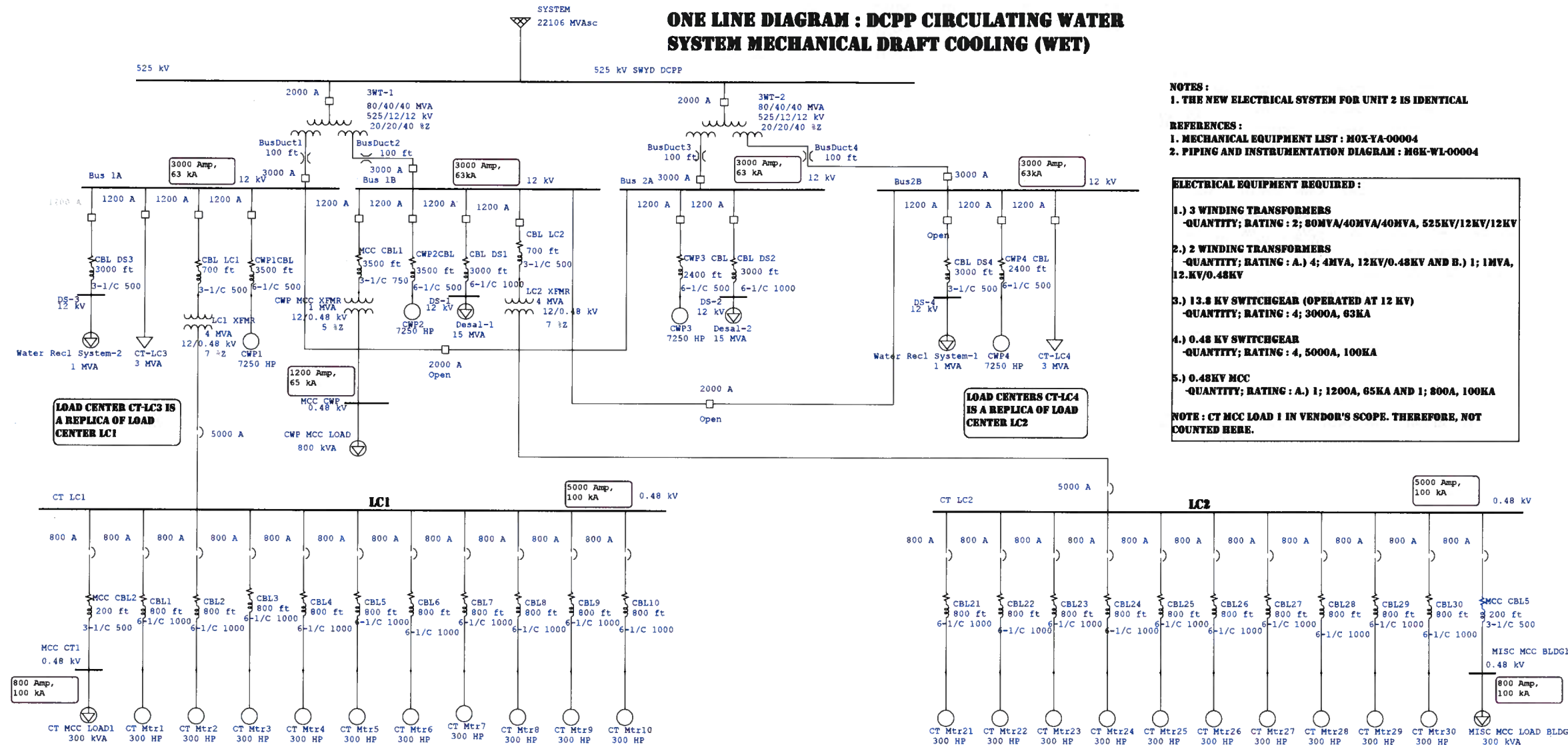
- ELECTRICAL EQUIPMENT REQUIRED :**
- 1.) 3 WINDING TRANSFORMERS
 -QUANTITY; RATING : 2; 70MVA/35MVA/35MVA, 525KV/12KV/12KV
 - 2.) 2 WINDING TRANSFORMERS
 -QUANTITY; RATING : 4; 1MVA, 12KV/0.48KV
 - 3.) 13.8 KV SWITCHGEAR (OPERATED AT 12 KV)
 -QUANTITY; RATING : 4; 2000A, 63KA
 - 4.) 0.48KV MCC
 -QUANTITY; RATING : 2; 1200A, 65KA
- NOTE : CT MCC LOAD 1 AND CT MCC LOAD 2 IN VENDOR'S SCOPE. THEREFORE, NOT COUNTED HERE.**

FOR INFORMATION ONLY. DO NOT USE FOR PROCUREMENT, FABRICATION OR CONSTRUCTION.

BECHTEL CONFIDENTIAL. © 2013 BECHTEL POWER CORPORATION (BECHTEL). CONTAINS INFORMATION CONFIDENTIAL AND/OR PROPRIETARY TO BECHTEL AND ITS AFFILIATED COMPANIES THAT IS NOT TO BE USED, DISCLOSED, OR REPRODUCED IN ANY FORM BY ANY NON-BECHTEL PARTY WITHOUT BECHTEL'S PRIOR WRITTEN PERMISISON. ALL RIGHTS RESERVED.

JOB NO. : 25762-110
DRAWING NO. : E1K-0000-00003
REVISION/DATE: B 7/25/13
REASON FOR ISSUE : FOR ESTIMATION
TITLE : ONE LINE DIAGRAM : DCPD CIRCULATING WATER SYSTEM NATURAL DRAFT COOLING (WET)
ORIGINATED BY : JS
VERIFIED BY : [Signature]
EGS : [Signature]
PE : [Signature]

ONE LINE DIAGRAM : DCPD CIRCULATING WATER SYSTEM MECHANICAL DRAFT COOLING (WET)



- NOTES:**
 1. THE NEW ELECTRICAL SYSTEM FOR UNIT 2 IS IDENTICAL
- REFERENCES:**
 1. MECHANICAL EQUIPMENT LIST : MOX-YA-00004
 2. PIPING AND INSTRUMENTATION DIAGRAM : M6K-WI-00004

- ELECTRICAL EQUIPMENT REQUIRED:**
- 1.) 3 WINDING TRANSFORMERS
 -QUANTITY; RATING : 2; 80MVA/40MVA/40MVA, 525KV/12KV/12KV
 - 2.) 2 WINDING TRANSFORMERS
 -QUANTITY; RATING : (A.) 4; 4MVA, 12KV/0.48KV AND (B.) 1; 1MVA, 12.KV/0.48KV
 - 3.) 13.8 KV SWITCHGEAR (OPERATED AT 12 KV)
 -QUANTITY; RATING : 4; 3000A, 63KA
 - 4.) 0.48 KV SWITCHGEAR
 -QUANTITY; RATING : 4; 5000A, 100KA
 - 5.) 0.48KV MCC
 -QUANTITY; RATING : (A.) 1; 1200A, 65KA AND 1; 800A, 100KA
- NOTE : CT MCC LOAD 1 IN VENDOR'S SCOPE. THEREFORE, NOT COUNTED HERE.**

LOAD CENTER CT-LC3 IS A REPLICA OF LOAD CENTER LC1

LOAD CENTERS CT-LC4 IS A REPLICA OF LOAD CENTER LC2

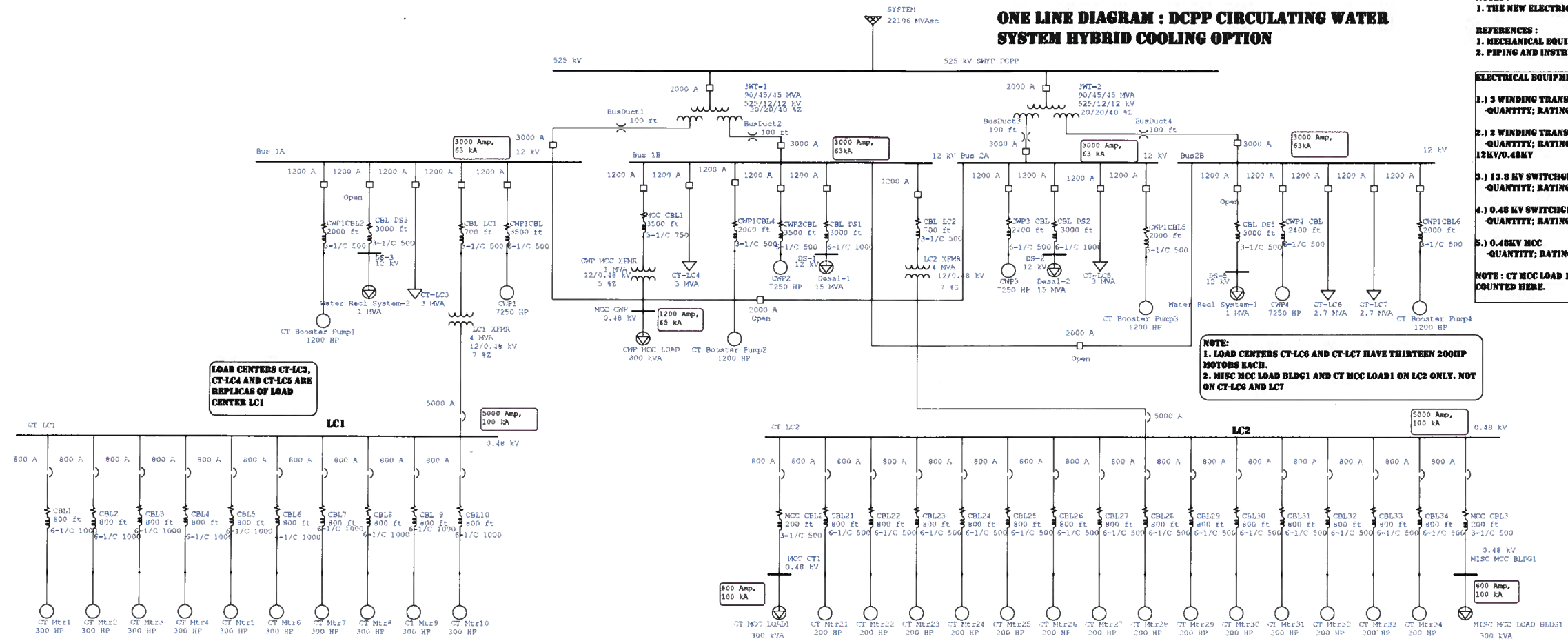
CT MCC LOAD1 ON LC1 ONLY. NOT ON CT-LC3

MISC LOAD BLDG1 ON LC2 ONLY. NOT ON CT-LC4

FOR INFORMATION ONLY. DO NOT USE FOR PROCUREMENT, FABRICATION OR CONSTRUCTION.

BECHTEL CONFIDENTIAL. © 2013 BECHTEL POWER CORPORATION (BECHTEL). CONTAINS INFORMATION CONFIDENTIAL AND/OR PROPRIETARY TO BECHTEL AND ITS AFFILIATED COMPANIES THAT IS NOT TO BE USED, DISCLOSED, OR REPRODUCED IN ANY FORM BY ANY NON-BECHTEL PARTY WITHOUT BECHTEL'S PRIOR WRITTEN PERMISSION. ALL RIGHTS RESERVED.

JOB NO. : 25762-110
DRAWING NO. : EIK-0000-00004
REVISION/DATE: B 7/28/13
REASON FOR ISSUE : FOR ESTIMATION
TITLE : ONE LINE DIAGRAM : DCPD CIRCULATING WATER SYSTEM MECHANICAL DRAFT COOLING (WET)
ORIGINATED BY : J.S.
VERIFIED BY : P.H.
EGS : P.H.
PE : O.S.L.



LOAD CENTERS CT-LC3, CT-LC4 AND CT-LC5 ARE REPLICAS OF LOAD CENTER LC1

NOTE:
1. LOAD CENTERS CT-LC6 AND CT-LC7 HAVE THIRTEEN 200HP MOTORS EACH.
2. MISC MCC LOAD BLDG1 AND CT MCC LOAD1 ON LC2 ONLY. NOT ON CT-LC6 AND LC7

- NOTES :**
1. THE NEW ELECTRICAL SYSTEM FOR UNIT 2 IS IDENTICAL
- REFERENCES :**
1. MECHANICAL EQUIPMENT LIST MEX-7A-00005
2. PIPING AND INSTRUMENTATION DIAGRAM MEX-WL-00005
- ELECTRICAL EQUIPMENT REQUIRED :**
- 1.) 3 WINDING TRANSFORMERS
-QUANTITY; RATING : 2; 90MVA/45MVA/45MVA, 525KV/12KV/12KV
 - 2.) 2 WINDING TRANSFORMERS
-QUANTITY; RATING : A.) 7; 4MVA, 12KV/0.48KV AND B.) 1; 1MVA, 12KV/0.48KV
 - 3.) 13.8 KV SWITCHGEAR (OPERATED AT 12 KV)
-QUANTITY; RATING : 4; 3000A, 63KA
 - 4.) 0.48 KV SWITCHGEAR
-QUANTITY; RATING : 7, 5000A, 100KA
 - 5.) 0.48KV MCC
-QUANTITY; RATING : A.) 1; 800A, 100KA AND B.) 1; 1200A, 65KA
- NOTE : CT MCC LOAD 1 IN VENDOR'S SCOPE. THEREFORE, NOT COUNTED HERE.

JOB NO. : 25762-110
DRAWING NO. : E1K-0000-00005
REVISION/DATE: B 7/25/13
REASON FOR ISSUE : FOR ESTIMATION
TITLE : ONE LINE DIAGRAM : DCPD CIRCULATING WATER SYSTEM HYBRID COOLING OPTION
ORIGINATED BY :
VERIFIED BY :
EGS :
PE :

FOR INFORMATION ONLY. DO NOT USE FOR PROCUREMENT, FABRICATION OR CONSTRUCTION.

BECHTEL CONFIDENTIAL. © 2013 BECHTEL POWER CORPORATION (BECHTEL). CONTAINS INFORMATION CONFIDENTIAL AND/OR PROPRIETARY TO BECHTEL AND ITS AFFILIATED COMPANIES THAT IS NOT TO BE USED, DISCLOSED, OR REPRODUCED IN ANY FORM BY ANY NON-BECHTEL PARTY WITHOUT BECHTEL'S PRIOR WRITTEN PERMISSION. ALL RIGHTS RESERVED.