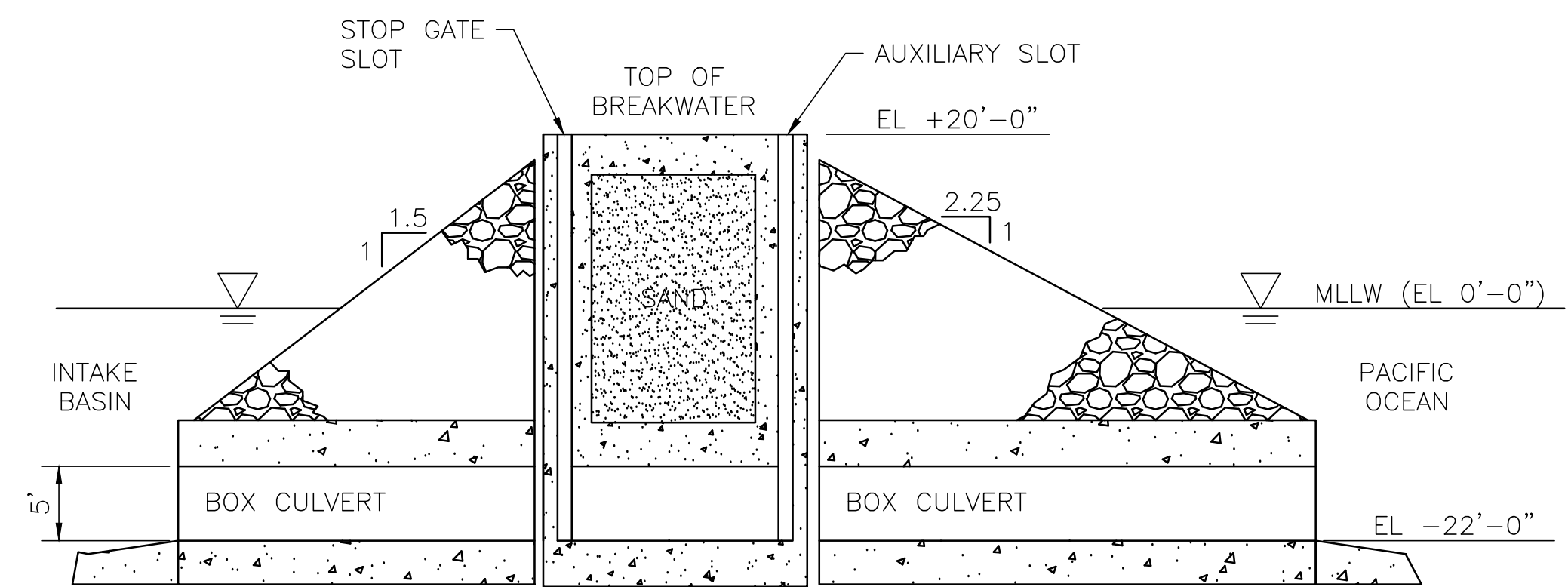
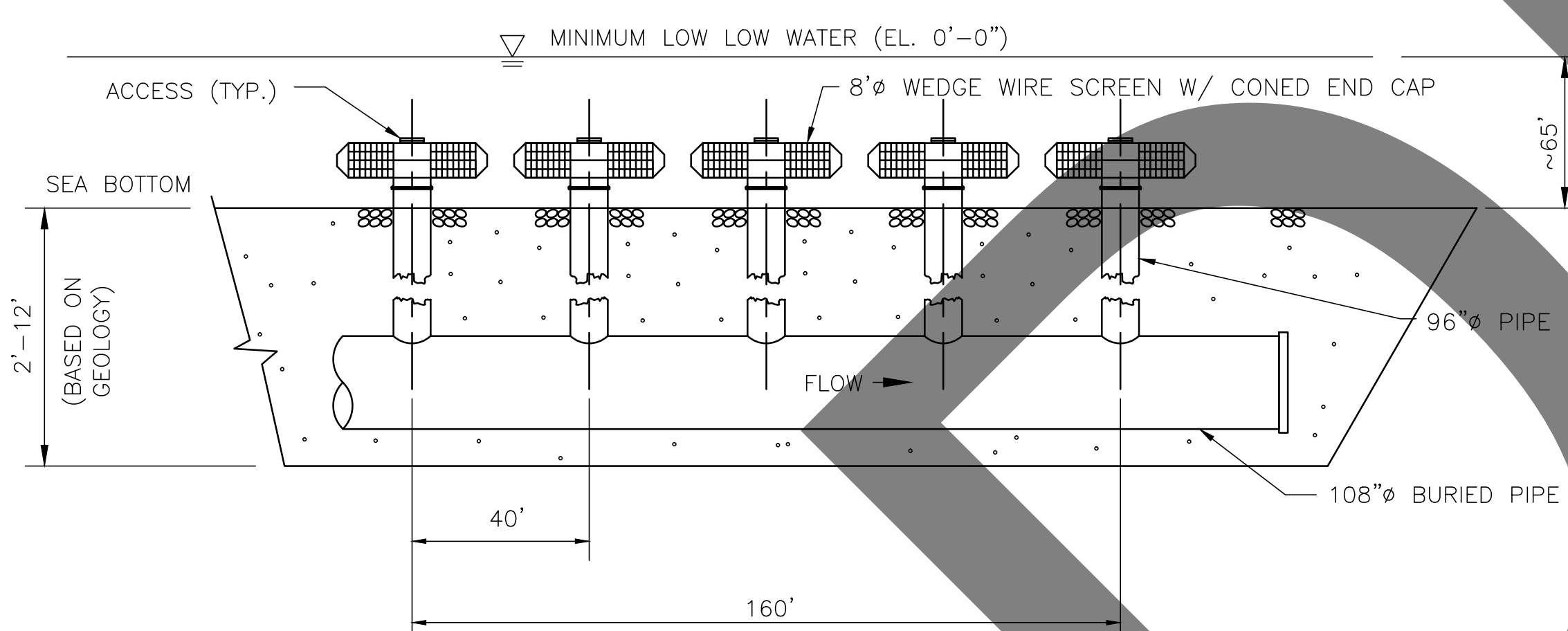


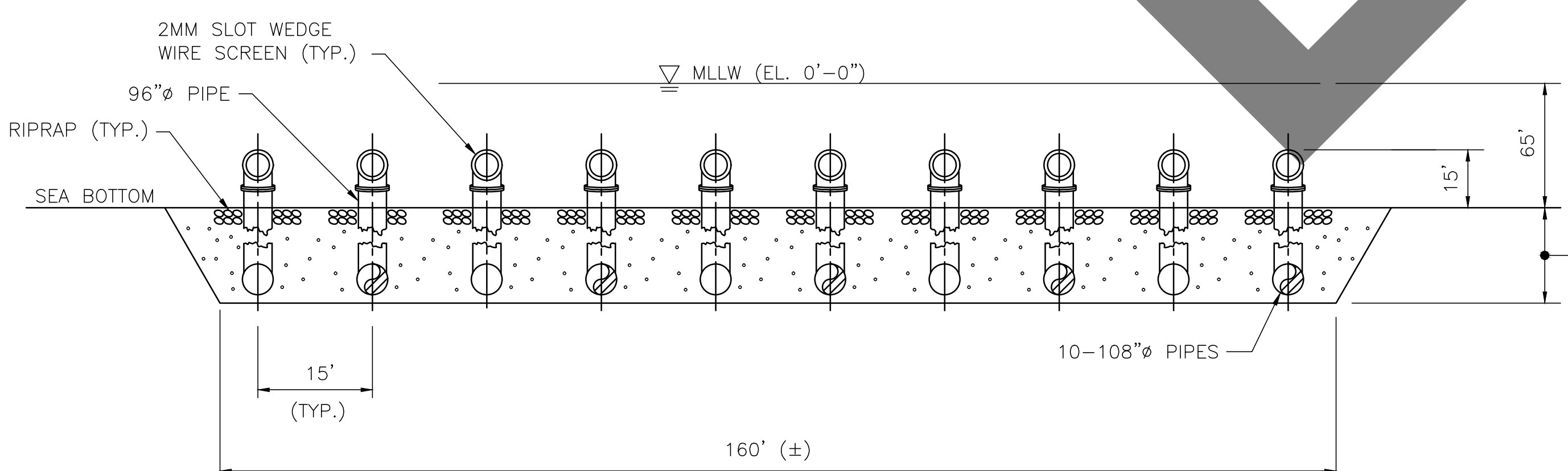
DETAIL 1  
N.T.S.



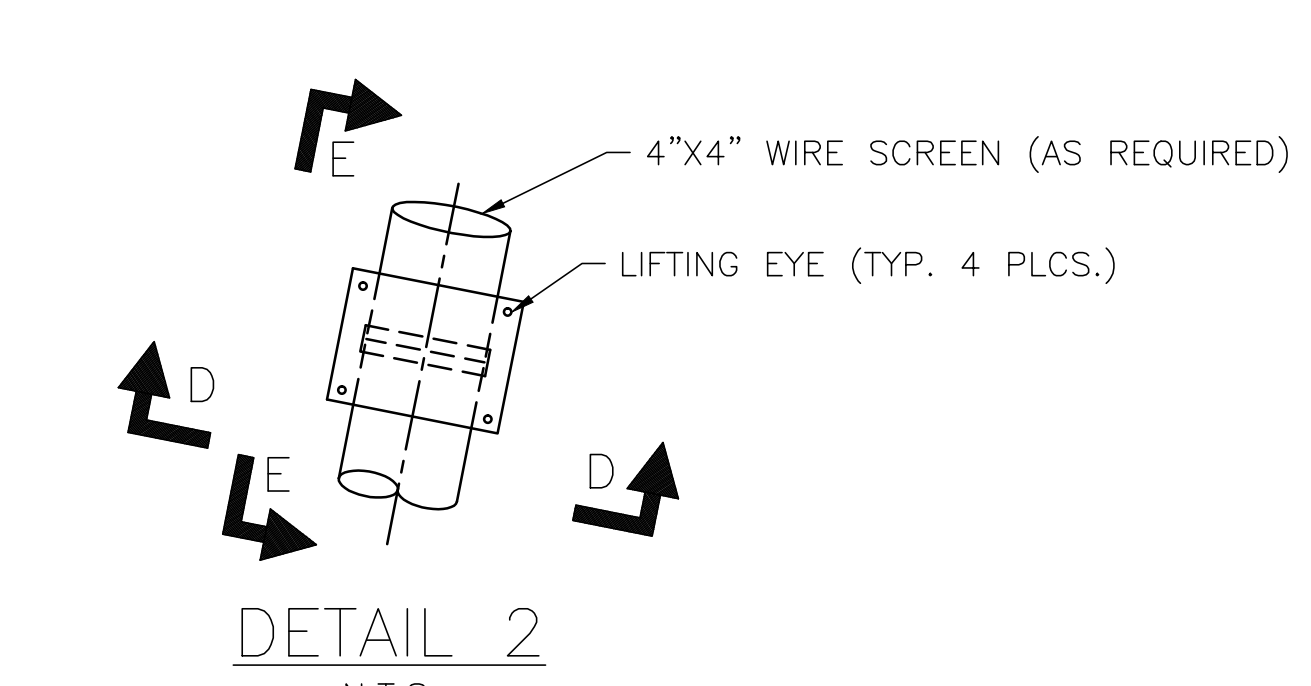
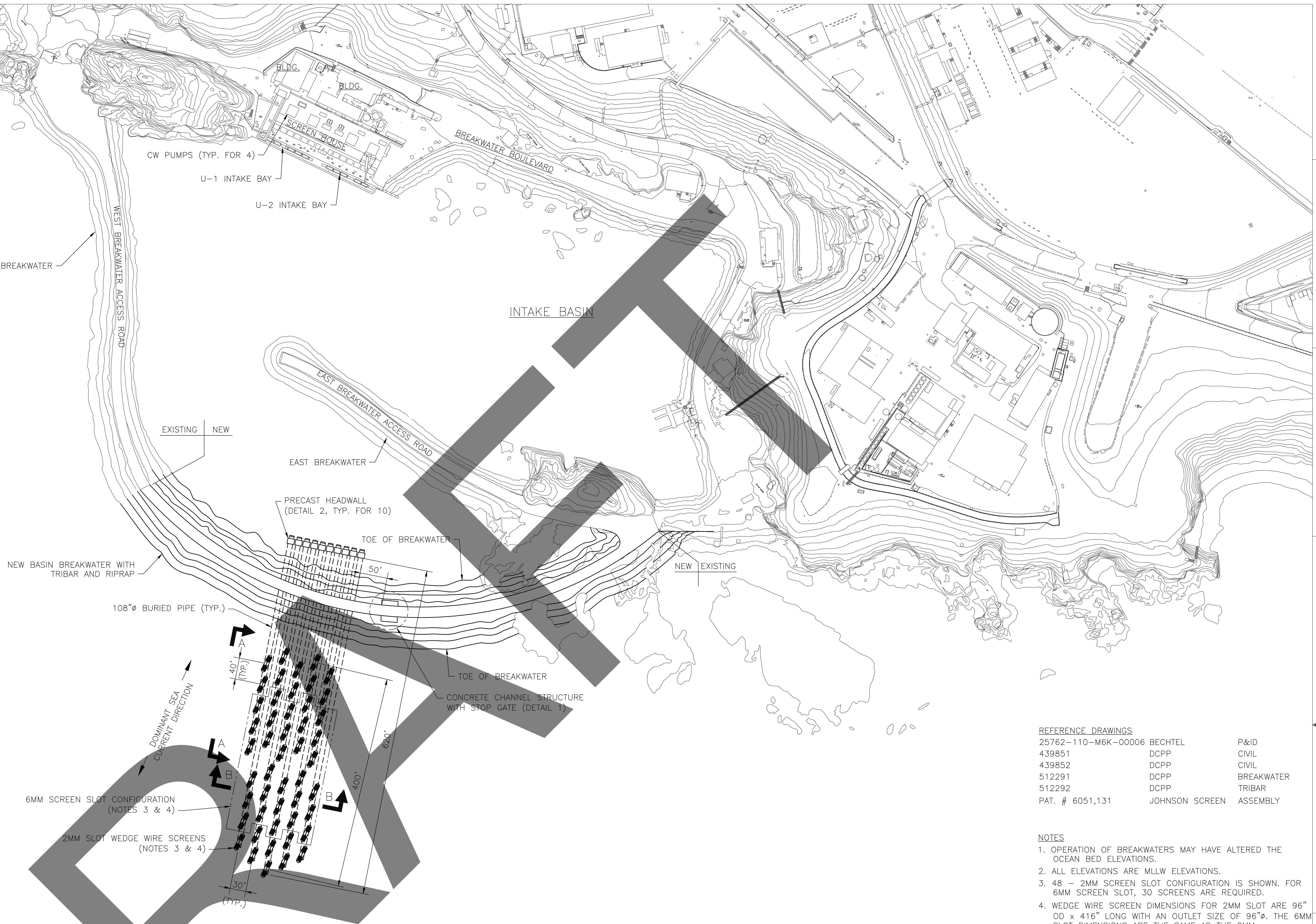
SECTION C-C  
N.T.S.



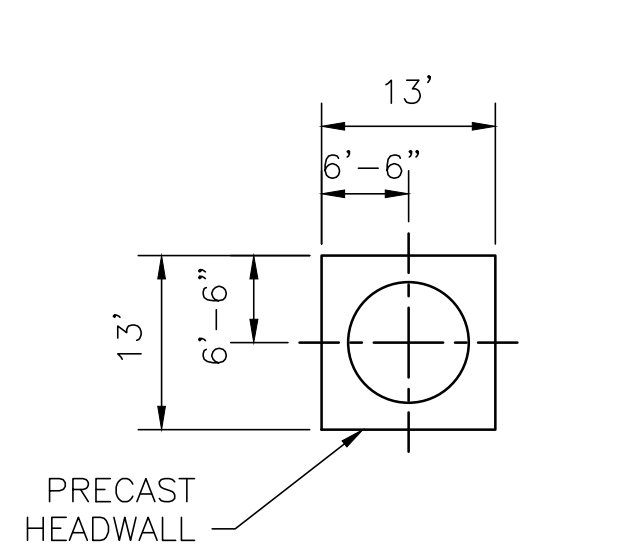
SECTION A-A  
N.T.S.



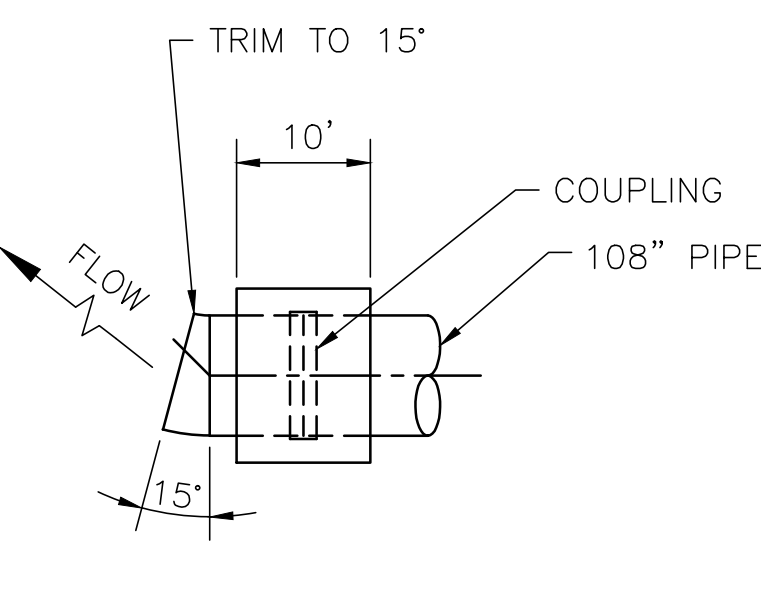
SECTION B-B  
N.T.S.



DETAIL 2  
N.T.S.



SECTION D-D  
N.T.S.



SECTION E-E  
N.T.S.

REFERENCE DRAWINGS

25762-110-M6K-00006	BECHTEL	P&ID
439851	DCPP	CIVIL
439852	DCPP	CIVIL
512291	DCPP	BREAKWATER
512292	DCPP	TRIBAR
PAT. # 6051,131	JOHNSON SCREEN	ASSEMBLY

- NOTES
- OPERATION OF BREAKWATERS MAY HAVE ALTERED THE OCEAN BED ELEVATIONS.
  - ALL ELEVATIONS ARE MLLW ELEVATIONS.
  - 48 - 2MM SCREEN SLOT CONFIGURATION IS SHOWN. FOR 6MM SCREEN SLOT, 30 SCREENS ARE REQUIRED.
  - WEDGE WIRE SCREEN DIMENSIONS FOR 2MM SLOT ARE 96" OD x 416" LONG WITH AN OUTLET SIZE OF 96". THE 6MM SLOT DIMENSIONS ARE THE SAME AS THE 2MM.
  - FLANGE CONNECTION REQUIRED BETWEEN DISSIMILAR MATERIALS.
  - RIPRAP PLACEMENT ON AREA OVER BURIED PIPES AND UNDER THE SCREENS.
  - STOP GATE ONLY REQUIRED IN ONE SLOT PER FLOW PATH. AUXILIARY SLOT MAY BE USED FOR MAINTENANCE PURPOSES.

FOR INFORMATION ONLY. DO NOT USE FOR PROCUREMENT, FABRICATION, OR CONSTRUCTION.

BECHTEL CONFIDENTIAL. © 2013 BECHTEL POWER CORPORATION (BECHTEL). CONTAINS INFORMATION CONFIDENTIAL AND/OR PROPRIETARY TO BECHTEL AND ITS AFFILIATED COMPANIES THAT IS NOT TO BE USED, REPRODUCED, OR REPRODUCED IN ANY FORM BY ANY NON-BECHTEL PARTY WITHOUT BECHTEL'S PRIOR WRITTEN PERMISSION. ALL RIGHTS RESERVED.

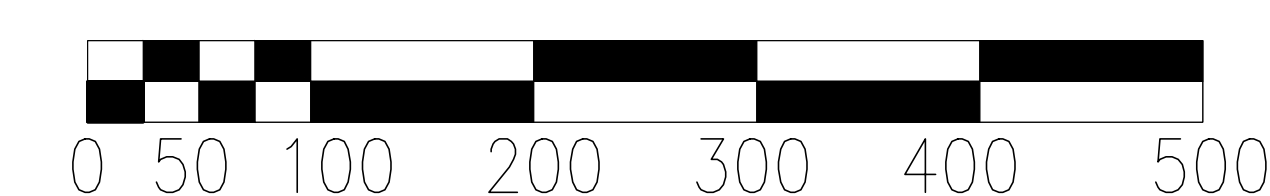
NO.	DATE	REVISIONS	BY	CHK.	DES. SUPV.	ENGR.	PROJ. ENGR.	APPR.
1								
2								
3								
4								
5								
6								
7								
8								
9								
10								
11								
12								
13								
14								
15								
16								
17								
18								
19								
20								
21								
22								
23								
24								
25								
26								
27								
28								
29								
30								
31								
32								
33								
34								
35								
36								
37								
38								
39								
40								
41								
42								
43								
44								
45								
46								
47								
48								
49								
50								

**BECHTEL**  
FREDERICK, MARYLAND

PACIFIC GAS AND ELECTRIC  
DIABLO CANYON POWER PLANT

CIRCULATING WATER SYSTEM  
WEDGE WIRE SCREENS  
ALTERNATE GENERAL ARRANGEMENT

JOB NO.	DRAWING NO.	REV.
65762-110	P1K-WL-00061	A



© Copyright Bechtel Corporation 2005. All rights reserved. Contains confidential information. Do not disseminate or disclose to third parties without Bechtel's prior written permission.